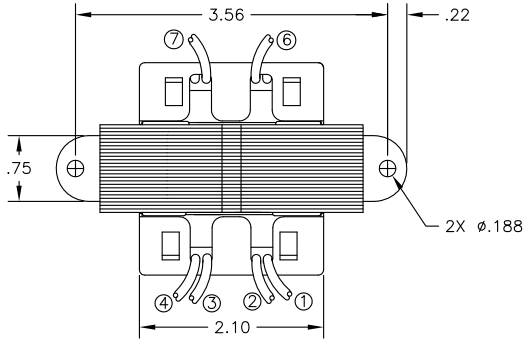
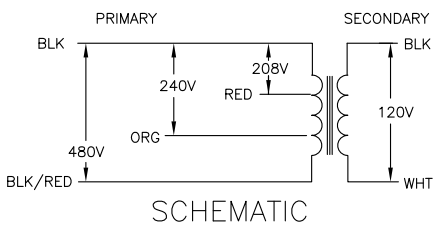
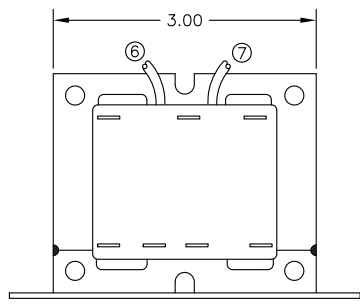
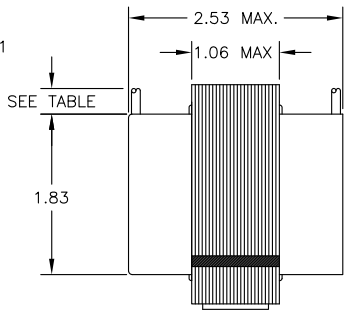
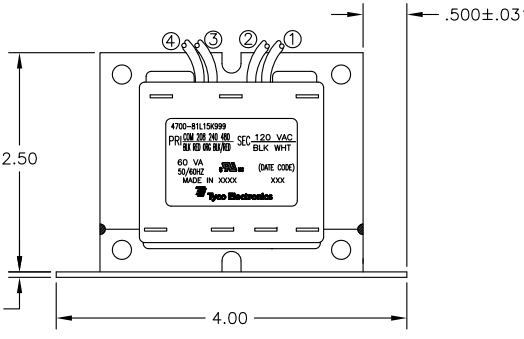


THIS DRAWING IS UNPUBLISHED. RELEASED FOR PUBLICATION. ALL RIGHTS RESERVED.

LOC	DIST	REVISIONS		
GZ	00	P	LTR	DESCRIPTION
		C		ECR-11-016807
			DATE	DWN
			27SEP11	DH
				APVD
				DB



ALL LEADS 18AWG-UNLESS OTHERWISE SPECIFIED					NOTES			CERTIFICATION:		
PRIMARY					1. ALL LEADS +1"/-0" TOL.			UL/CUL FILE NO. E102980		
					2. STRIP TOL. ±1/32			SECONDARY		
					3. WINDING PROTECTION-NONE					
LEAD NO.	1	2	3	4	LEAD NO.	6	7			
VOLTAGE	COM	208	240	480	VOLTAGE	120	VAC			
COLOR	BLK	RED	ORG	BLK/RED	COLOR	BLK	WHT			
LENGTH	12.0	12.0	12.0	12.0	LENGTH	12.0	12.0			
STRIP LENGTH	.50	.50	.50	.50	STRIP LENGTH	.50	.50			



THIS DRAWING IS A CONTROLLED DOCUMENT.		DWN	K.H.	11MAR04	TE Connectivity
		CHK	DH	11MAR04	
		APVD	HT	11MAR04	
DIMENSIONS:		TOLERANCES UNLESS OTHERWISE SPECIFIED:		NAME	
INCHES		(REF. ONLY)		P.U. STOCK	
0 PLC ± -		0 PLC ± -		SIZE	
1 PLC ± -		1 PLC ± -		CAGE CODE	
2 PLC ± -		2 PLC ± -		DRAWING NO	
3 PLC ± -		3 PLC ± -		RESTRICTED TO	
4 PLC ± -		4 PLC ± -		A3 00779	
ANGLES ± -		FINISH		C=4700-81L15K999	
MATERIAL		FINISH		CUSTOMER DRAWING	
				SCALE	
				NTS	
				SHEET	
				1 of 1	
				REV	
				C	