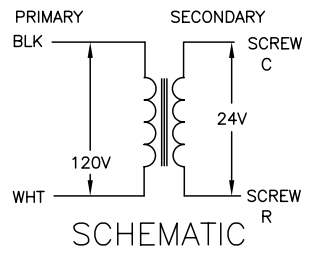
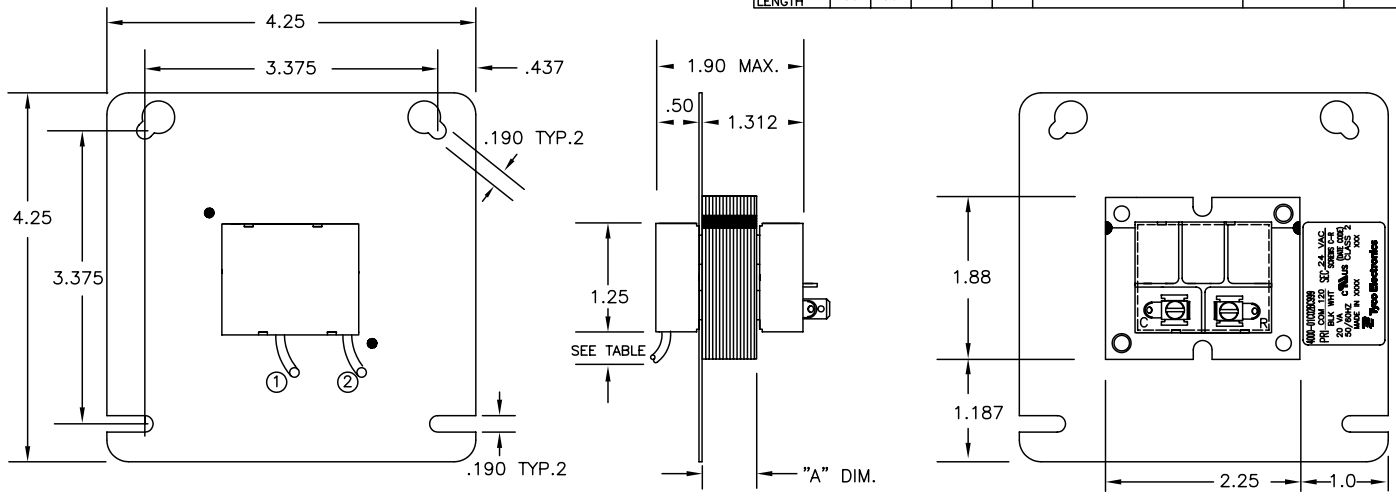


PRIMARY				SECONDARY			
LEAD NO.	1	2		TERM. NO.	6	7	
VOLTAGE	COM	120		VOLTAGE	24	VAC	
COLOR	BLK	WHT		TERMINAL	SCREW WITH QC.	TERM	
LENGTH	12.0	12.0		LETTER	C	R	
STRIP LENGTH	.50	.50					

NOTES:
 1. DIMENSIONS FOR REFERENCE ONLY.
 2. ALL LEADS +17/-0" TOL.
 3. STRIP TOL. ±1/32
 4. WINDING PROTECTION-INHERENTLY LIMITED

CERTIFICATION:
 UL/CUL FILE NO. E87824



THIS DRAWING IS A CONTROLLED DOCUMENT.		DWN: K.H. 30JAN04	TYCO ELECTRONICS PART NUMBER 1-1611449-3													
DIMENSIONS: INCHES		CHK: DH 30JAN04	Tyco Electronics Corporation Harrisburg, PA 17105-3608													
TOLERANCES UNLESS OTHERWISE SPECIFIED:		APVD: HT 30JAN04	NAME: TRANSFORMER OUTLINE P.U. STOCK													
<table border="1"> <tr><td>0 PLC</td><td>± -</td></tr> <tr><td>1 PLC</td><td>± -</td></tr> <tr><td>2 PLC</td><td>± .01</td></tr> <tr><td>3 PLC</td><td>± .005</td></tr> <tr><td>4 PLC</td><td>± -</td></tr> <tr><td>ANGLES</td><td>± -</td></tr> </table>		0 PLC	± -	1 PLC	± -	2 PLC	± .01	3 PLC	± .005	4 PLC	± -	ANGLES	± -	PRODUCT SPEC: -	SIZE: A3	CAGE CODE: 00779
0 PLC	± -															
1 PLC	± -															
2 PLC	± .01															
3 PLC	± .005															
4 PLC	± -															
ANGLES	± -															
MATERIAL: -	FINISH: -	APPLICATION SPEC: -	DRAWING NO: C=4000-01C02BC999	RESTRICTED TO: -												
CUSTOMER DRAWING			SCALE: 1:1	SHEET: 1 OF 1												
			REV: B													