

4

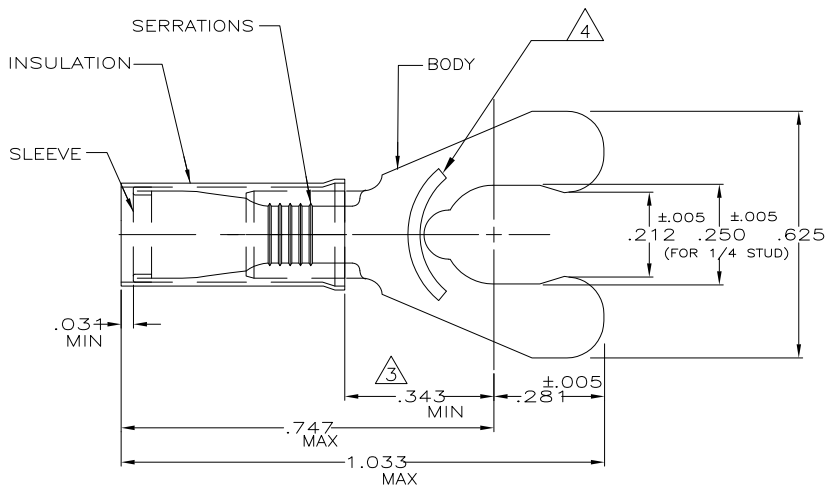
3

2

1

THIS DRAWING IS UNPUBLISHED. RELEASED FOR PUBLICATION
 © COPYRIGHT - BY TYCO ELECTRONICS CORPORATION. ALL INTERNATIONAL RIGHTS RESERVED.

LOC	DIST	REVISIONS				
P	LTR	DESCRIPTION	DATE	DWN	APVD	
G	14					
		K	REV PER ECR 10-005107	08MAR10	JR	TM



- 1 FOR WIRE INSULATION DIA OF .115 TO .170.
- 2 TONGUE MATERIAL THK IS $.031 \pm .002$
- 3 DIMENSION APPLIES FROM EDGE OF METAL WIRE BARREL TO CENTER OF STUD HOLE.
- 4 STAMP " 1/4 S AMP 16-14* ", LOCATED APPROX AS SHOWN.

2500	ON TAPE REEL	52939-1	INSULATION: NYLON, COLOR: BLUE SLEEVE: COPPER PER ASTM B152
1000	LOOSE PIECE BOX	52939	BODY: PHOS. BRONZE PER ASTM B103 TIN PLATE PER ASTM B545
QTY	DESCRIPTION	PART NO.	MATERIAL & FINISH

THIS DRAWING IS A CONTROLLED DOCUMENT.		DWN	JR RUTH	25OCT01	Tyco Electronics Corporation Harrisburg, PA 17105-3608
DIMENSIONS: INCHES		CHK	MS FEHER	25OCT01	
TOLERANCES UNLESS OTHERWISE SPECIFIED:		APVD	T MICHELUTTI	25OCT01	NAME
0 PLC	± -	PRODUCT SPEC		WIRE TERMINAL, PIDG, SPRING SPADE, (STUB) 16-14 AWG	
1 PLC	± -	APPLICATION SPEC		SIZE	CAGE CODE
2 PLC	± -	WEIGHT		A3	00779
3 PLC	± .008	MATERIAL		DRAWING NO	52939
4 PLC	± -	FINISH		SCALE	4:1
ANGLES	± -	SEE TABLE		SHEET	1 of 1
MATERIAL SEE TABLE		FINISH SEE TABLE		CUSTOMER DRAWING	REV
				K	