

4

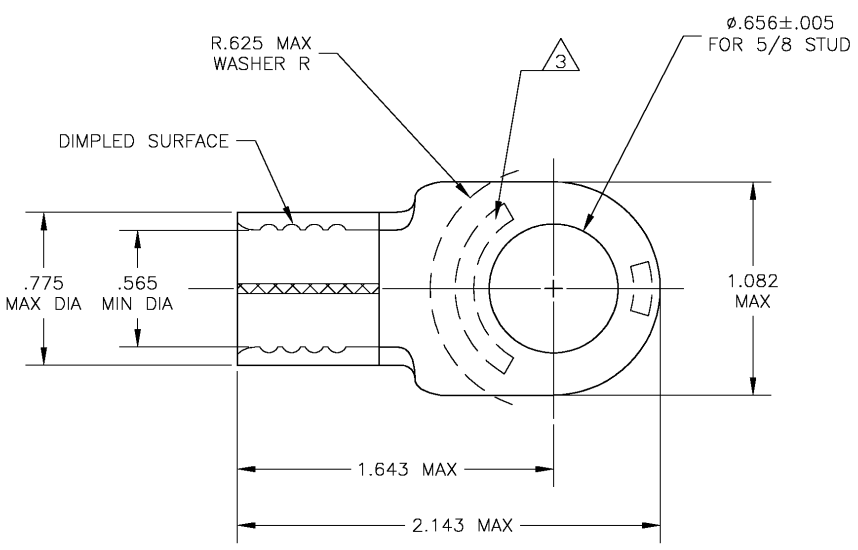
3

2

1

THIS DRAWING IS UNPUBLISHED. RELEASED FOR PUBLICATION  
 © COPYRIGHT BY TYCO ELECTRONICS CORPORATION. ALL RIGHTS RESERVED.

LOC	DIST	REVISIONS				
P	LTR	DESCRIPTION	DATE	DWN	APVD	
G	14	E	REDRAWN PER 0G3A-0614-03	03OCT03	JR	MS



- 1 TONGUE THK IS .091±.003
- 2 TIN PLATE PER ASTM B545 ANNEALED
- 3 STAMP "AMP 3/0W\* 150" LOCATED ON BOTTOM, APPROX AS SHOWN
- 4 FOREIGN PRODUCTION ONLY.

36930-0  
 PART NO

THIS DRAWING IS A CONTROLLED DOCUMENT.		DWN jr ruth 03OCT03	 Tyco Electronics Corporation Harrisburg, PA 17105																		
DIMENSIONS: INCHES	TOLERANCES UNLESS OTHERWISE SPECIFIED:	CHK MJ SPICER 03OCT03	APVD MJ SPICER 03OCT03	NAME																	
<table border="1"> <tr><td>0</td><td>PLC</td><td>± .</td></tr> <tr><td>1</td><td>PLC</td><td>± .</td></tr> <tr><td>2</td><td>PLC</td><td>± .</td></tr> <tr><td>3</td><td>PLC</td><td>± .008</td></tr> <tr><td>4</td><td>PLC</td><td>± .</td></tr> <tr><td colspan="2">ANGLES</td><td>± 5°</td></tr> </table>	0	PLC	± .	1	PLC	± .	2	PLC	± .	3	PLC	± .008	4	PLC	± .	ANGLES		± 5°	PRODUCT SPEC	TERMINAL, SOLISTRAND, RING TONGUE, WIRE SIZE : 3/0	
0	PLC	± .																			
1	PLC	± .																			
2	PLC	± .																			
3	PLC	± .008																			
4	PLC	± .																			
ANGLES		± 5°																			
MATERIAL COPPER ASTM B152	FINISH -	APPLICATION SPEC	WEIGHT	RESTRICTED TO																	
		CUSTOMER DRAWING	SIZE A3	CAGE CODE 00779																	
			DRAWING NO C-36930	SCALE 2:1																	
			SHEET 1	OF 1																	
			REV E																		

AMP 1470-19 REV 31MAR2000

C:\ENGapps\TECacad\4.0\bin\