

4

3

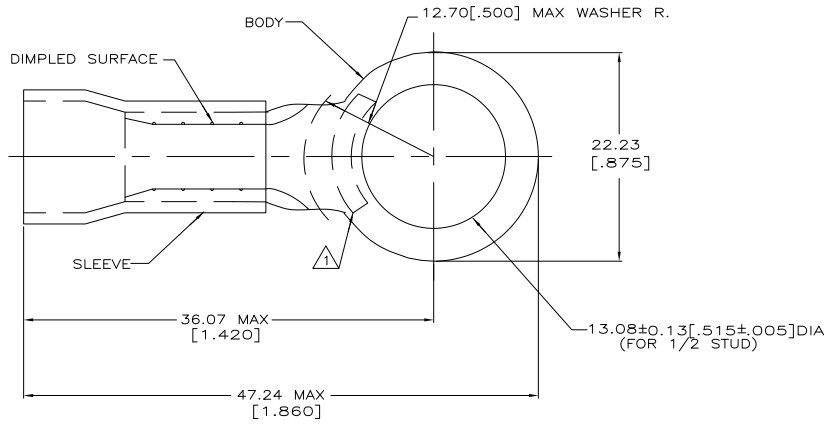
2

1

THIS DRAWING IS UNPUBLISHED. RELEASED FOR PUBLICATION.
 BY TYCO ELECTRONICS CORPORATION. ALL INTERNATIONAL RIGHTS RESERVED.

LOC	DIST	REV	DESCRIPTION	DATE	BY	APP'D
G	14	F	LR			
		K1	REVISED PER ECO-11-002228	11FEB11	HMR	DR

AMP WIRE RANGE	FILE E13288	LR7189 Certified
8 AWG STRANDED	8 AWG STRANDED	8 AWG STRANDED



- △ 1 STAMP AMP 8* LOCATE APPROX AS SHOWN
- 2 TONGUE MATERIAL THK 1.02±0.08 [.040±.003]
- 3 WIRE INSULATION DIA 8.38 [.330] MAX
- △ 4 PARTS ON TAPE AT [1.200] CENTERS
- △ 5 PRELIMINARY - NOT FOR PRODUCTION

△ 4	△ 5	500	ON TAPE & REEL	2-52262-1
		100	LOOSE PIECE	52262-1
		QTY	PACKAGE TYPE	PART NO

AMP INCORPORATED CUSTOMER SERVICE SYSTEMS		MAX RECOMMENDED OPERATING TEMPERATURE: 105° C
FOR ADDITIONAL PRODUCT INFORMATION OR COPIES OF DRAWINGS AND TECHNICAL DOCUMENTS	PRODUCT INFORMATION CENTER 1-800-522-6752	VOLTAGE RATING: 600V MAX
FOR APPLICATION	TOOLING ASSISTANCE CENTER 1-800-722-1111	CIRCULAR MIL AREA: 6.64-10.9mm ² [13,100-20,800] STRANDED
FOR ORDER ENTRY	1-800-526-5142	<small>THIS DRAWING IS A CONTROLLED DOCUMENT FOR AMP INCORPORATED. IT IS SUBJECT TO CHANGE AND THE CONTROLLING ENGINEERING ORGANIZATION SHOULD BE CONTACTED FOR THE LATEST REVISION.</small>

THIS DRAWING IS A CONTROLLED DOCUMENT.		DRW J.R. RUTH 190E002	Tyco Electronics Corporation Harrisburg, PA 17105-3608	
DIMENSIONS: mm [INCHES]		CHK R. HERSEY 190E002	NAME T. MICHELLETTI 190E002	
TOLERANCES UNLESS OTHERWISE SPECIFIED: 0 PLG ± - 1 PLG ± - 2 PLG ± 0.20(0.008) 3 PLG ± - 4 PLG ± - ANGLES ± -		PRODUCT SPEC NOT AVAILABLE		TERMINAL, RING TONGUE.
MATERIAL COPPER ASTM-B152 PVC COLOR-RED		FINISH TIN PLATE ASTM-B545		RESTRICTED TO -
APPLICATION SPEC 114-2161		SIZE A2		SCALE 1:1
CUSTOMER DRAWING		DRAWING NO 00779		SHEET 1 of 1
		C=52262		REV K1

1471-9 (1/08)

52262

A