

4

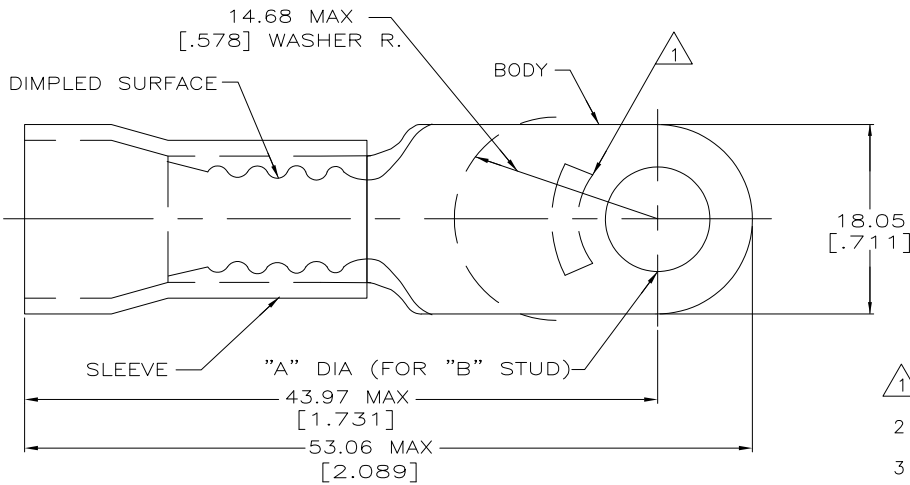
3

2

1

THIS DRAWING IS UNPUBLISHED. RELEASED FOR PUBLICATION
 © COPYRIGHT - BY TYCO ELECTRONICS CORPORATION. ALL INTERNATIONAL RIGHTS RESERVED.

LOC	DIST	REVISIONS				
P	LTR	DESCRIPTION	DATE	DWN	APVD	
G	14	J1	REVISED PER ECO-11-002228	11FEB11	HMR	DR



AMP WIRE RANGE	RU FILE E13288	CSA LR7189 Certified
2 AWG STRANDED	2 AWG STRANDED	2 AWG STRANDED

- 1 STAMP AMP 2* LOCATE APPROX AS SHOWN
 2 TONGUE MATERIAL THK 1.45±0.08[.057±.003]
 3 SEE TABLE FOR WIRE INSULATION DIA MAX

WIRE INSULATION DIA	"B"	"A"	QTY	PACKAGE TYPE	PART NO
14.22 [.560]	3/8	9.91±0.13 8.33±0.13	50	LOOSE PC, BOX SPL	8-52044-5
16.05 [.632]	3/8	9.91±0.13 8.33±0.13	50	LOOSE PC	52044-5 52044-4 52044-2 52044-1

AMP INCORPORATED CUSTOMER SERVICE SYSTEMS		MAX RECOMMENDED OPERATING TEMPERATURE: 105° C
FOR ADDITIONAL PRODUCT INFORMATION OR COPIES OF DRAWINGS AND TECHNICAL DOCUMENTS	PRODUCT INFORMATION CENTER 1-800-522-6752	VOLTAGE RATING: 600 V MAX
FOR APPLICATION TOOLING INFORMATION	TOOLING ASSISTANCE CENTER 1-800-722-1111	CIRCULAR MIL AREA: 26.65-42.41mm ² [52,600-83,700] STRANDED
FOR ORDER ENTRY	1-800-526-5142	THIS DRAWING IS A CONTROLLED DOCUMENT FOR AMP INCORPORATED. IT IS SUBJECT TO CHANGE AND THE CONTROLLING ENGINEERING ORGANIZATION SHOULD BE CONTACTED FOR THE LATEST REVISION.

THIS DRAWING IS A CONTROLLED DOCUMENT.

DIMENSIONS:
mm [INCHES]

TOLERANCES UNLESS OTHERWISE SPECIFIED:

0 PLC	± -
1 PLC	± -
2 PLC	± 0.20[.008]
3 PLC	± -
4 PLC	± -
ANGLES	± -

MATERIAL
COPPER PER ASTM B-152
PVC, COLOR: REDFINISH
TIN PLATE
PER ASTM-B545

DWN S.S. GOULDEN 9-28-93	Tyco Electronics Corporation Harrisburg, PA 17105-3608	
CHK R. HERSEY 9-28-93	NAME TERMINAL, RING TONGUE, PLASTI GRIP, WIRE SIZE: 2 AWG	
APVD B. BARE 9-28-93	PRODUCT SPEC NOT AVAILABLE	RESTRICTED TO
APPLICATION SPEC 114-2161	WEIGHT -	SIZE A3
CUSTOMER DRAWING	CAGE CODE 00779	DRAWING NO C-52044
SCALE 4:1	SHEET 1 OF 1	REV J1