

4

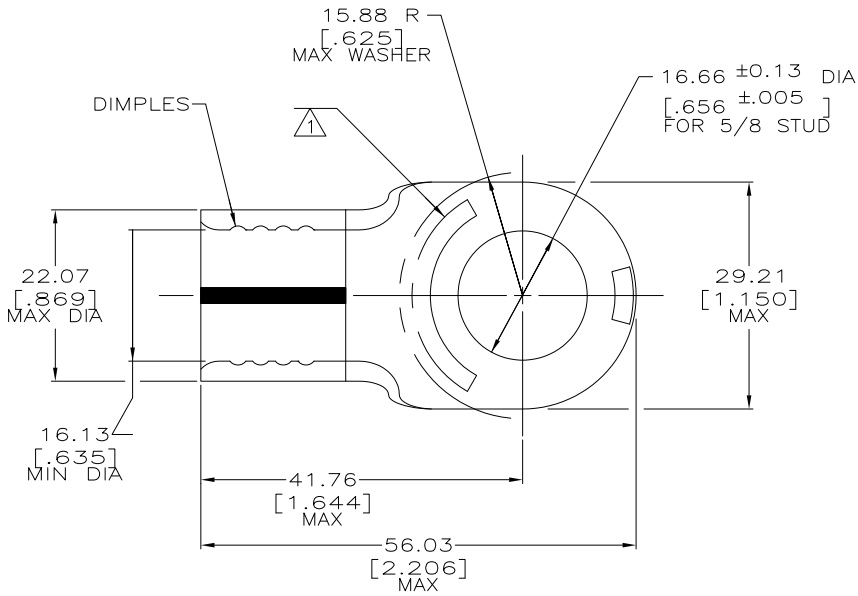
3

2

1

THIS DRAWING IS UNPUBLISHED. RELEASED FOR PUBLICATION
 © COPYRIGHT - BY TYCO ELECTRONICS CORPORATION. ALL INTERNATIONAL RIGHTS RESERVED.

LOC	DIST	REVISIONS				
P	LTR	DESCRIPTION	DATE	DWN	APVD	
G	14	G1	REV PER ECR 09-026553	08DEC09	JR	TM



AMP WIRE RANGE	Listed FILE E13288	LR7189 Certified
4/0 AWG SOLID OR STRANDED	4/0 AWG SOLID OR STRANDED	4/0 AWG SOLID OR STRANDED

- 1 STAMP AMP 4/OW* 200 APPROX AS SHOWN
- 2 MATERIAL THK: 2.59 ±0.08 [.102 ±.003]
- 3 SEE RESTRICTED CUSTOMER DRAWING 36935-1
- 4 COPPER PER ASTM B-152, ANNEALED
- 5 TIN PLATE 0.00254 [.000100] MIN PER B-545
- 6 MEETS MS20659-159, CLASS 2

OBSOLETE 3	36935-1
6	36935
PART NUMBER	

CUSTOMER SERVICE SYSTEMS

THIS DRAWING IS A CONTROLLED DOCUMENT.

DWN DK SCHRUM 15MAY96

Tyco Electronics Corporation
Harrisburg, PA 17105-3608

FOR ADDITIONAL PRODUCT INFORMATION OR COPIES OF DRAWINGS AND TECHNICAL DOCUMENTS
 PRODUCT INFORMATION CENTER
 1-800-522-6752

RECOMMENDED OPERATING TEMPERATURE:
 170° C MAX

DIMENSIONS:	TOLERANCES UNLESS OTHERWISE SPECIFIED:
mm [INCHES]	
0 PLC	± -
1 PLC	± -
2 PLC	± 0.20[.008]
3 PLC	± -
4 PLC	± -
ANGLES	± -

CHK	DATE
DM SWARTZ	01JUL96
APVD JL MECKLEY	01JUL96

NAME

TERMINAL, RING TONGUE, SOLISTRAND

FOR APPLICATION TOOLING INFORMATION
 TOOLING ASSISTANCE CENTER
 1-800-722-1111

VOLTAGE RATING:
 NOT APPLICABLE

MATERIAL - 4

FINISH - 5

PRODUCT SPEC

RESTRICTED TO

FOR ORDER ENTRY
 1-800-526-5142

WIRE CROSS SECTIONAL AREA RANGE:
 96.3-117.0mm²[190,000-231,100] CIR MILS STRANDED

4

5

APPLICATION SPEC

SIZE A3 CAGE CODE 00779 DRAWING NO C-36935

WEIGHT

SCALE 2:1 SHEET 1 OF 1 REV G1

CUSTOMER DRAWING