

4

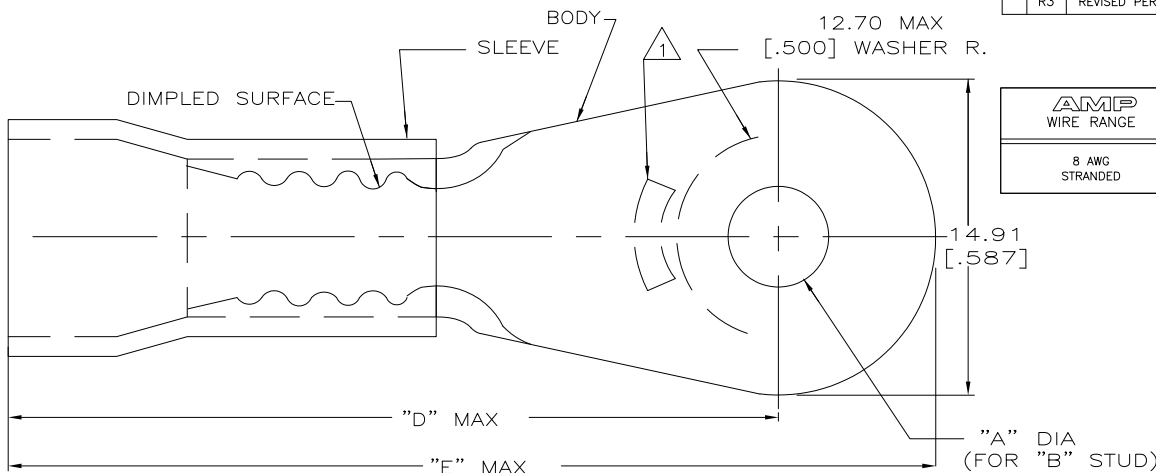
3

2

1

THIS DRAWING IS UNPUBLISHED. RELEASED FOR PUBLICATION
 © COPYRIGHT - By - ALL RIGHTS RESERVED.

LOC	DIST	REVISIONS					
G	14	P	LTR	DESCRIPTION	DATE	DWN	APVD
		R3		REVISED PER ECO-11-004820	11MAR11	RK	HMR



AMP WIRE RANGE	FILE E13288	LR7189 Certified
8 AWG STRANDED	8 AWG STRANDED	8 AWG STRANDED

- 1 STAMP AMP 8* LOCATE APPROX AS SHOWN
- 2 TONGUE MATERIAL THK 1.02±0.08 [.040±.003]
- 3 SEE TABLE FOR WIRE INSULATION DIA MAX
- 4 SUPERSEDED BY 52291
- 5 TAPE ITEMS ARE ON 30.48 [1.200] CENTERS
- 6 SUPERSEDED BY 52291-1
- 7 OBSOLETE

43.08 [1.696]	35.56 [1.400]	9.14 [.360]	3/8 5/16	9.91±0.13 [.390±.005] 8.34±0.13 [.328±.005]	25	LOOSE PC, BOX SPL	9-52291-5 8-52291-5
43.59 [1.716]	36.07 [1.420]	8.38 [.330]	3/8 5/16	9.91±0.13 [.390±.005] 8.34±0.13 [.328±.005]	500	ON TAPE	52291-5 52291-4
43.08 [1.696]	35.56 [1.400]	9.14 [.360]	3/8 5/16	9.91±0.13 [.390±.005] 8.34±0.13 [.328±.005]	100	LOOSE PC	52291-3 52291-2 52291-1 52291

AMP INCORPORATED CUSTOMER SERVICE SYSTEMS		MAX RECOMMENDED OPERATING TEMPERATURE: 105° C	THIS DRAWING IS A CONTROLLED DOCUMENT.		DWN S.S. GOULDEN 9-29-93	TE TE Connectivity			
FOR ADDITIONAL PRODUCT INFORMATION OR COPIES OF DRAWINGS AND TECHNICAL DOCUMENTS	PRODUCT INFORMATION CENTER 1-800-522-6752	VOLTAGE RATING: 600 V MAX	DIMENSIONS: mm [INCHES]	TOLERANCES UNLESS OTHERWISE SPECIFIED: 0 PLC ± - 1 PLC ± - 2 PLC ±0.20[.008] 3 PLC ± - 4 PLC ± - ANGLES ± -	CHK R. HERSEY 9-29-93	NAME			
FOR APPLICATION	TOOLING ASSISTANCE CENTER 1-800-722-1111	CIRCULAR MIL AREA: 6.64-10.54mm² [13,100-20,800] STRANDED		FINISH TIN PLATE PER ASTM-B545	APVD B. BARE 9-29-93	PRODUCT SPEC NOT AVAILABLE			
FOR ORDER ENTRY	1-800-526-5142	THIS DRAWING IS A CONTROLLED DOCUMENT FOR AMP INCORPORATED. IT IS SUBJECT TO CHANGE AND THE CONTROLLING ENGINEERING ORGANIZATION SHOULD BE CONTACTED FOR THE LATEST REVISION.	MATERIAL COPPER PER ASTM B-152 PVC, COLOR: RED	WEIGHT -	APPLICATION SPEC 114-2161	SIZE A3	CAGE CODE 00779	DRAWING NO C-52291	RESTRICTED TO -
CUSTOMER DRAWING				SCALE 4:1	SHEET 1 OF 1	REV R3			