

4

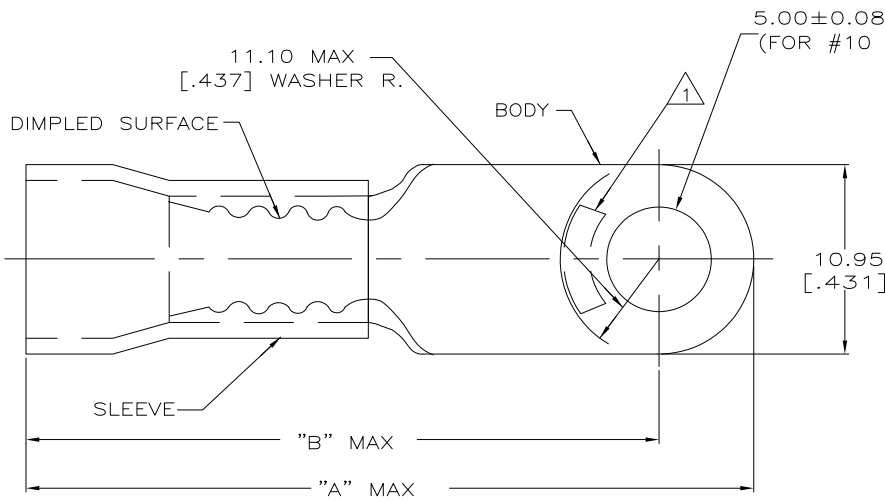
3

2

1

THIS DRAWING IS UNPUBLISHED. RELEASED FOR PUBLICATION  
 © COPYRIGHT - By - ALL RIGHTS RESERVED.

LOC	DIST	REVISIONS				
P	LTR	DESCRIPTION	DATE	DWN	APVD	
G	14	R3	REVISED PER ECO-11-004587	07APR11	RK	HMR



<b>AMP</b> WIRE RANGE	FILE E13288	LR7189 Certified
8 AWG STRANDED	8 AWG STRANDED	8 AWG STRANDED

- 1 STAMP AMP 8\* LOCATE APPROX AS SHOWN
- 2 TONGUE MATERIAL THK 1.02±0.08 [.040±.003]
- 3 SEE TABLE FOR WIRE INSULATION DIA MAX
- 4 TAPE ITEMS ARE ON 30.48 [1.200] CENTERS

WIRE INSULATION DIA	"B"	"A"	QTY	PACKAGE TYPE	PART NO
9.91 [.390]	33.99 [1.338]	39.52 [1.556]	100	LOOSE PC	52263-5
8.38 [.330]	34.49 [1.358]	40.03 [1.576]	500	ON TAPE	52263-4
9.14 [.360]	33.99 [1.338]	39.52 [1.556]			52263-3
8.38 [.330]	34.49 [1.358]	40.03 [1.576]	100	LOOSE PC	52263-2
9.14 [.360]	33.99 [1.338]	39.52 [1.556]			52263-1
8.38 [.330]	34.49 [1.358]	40.03 [1.576]			52263

<b>AMP INCORPORATED CUSTOMER SERVICE SYSTEMS</b>		<b>MAX RECOMMENDED OPERATING TEMPERATURE:</b> 105° C
<b>FOR ADDITIONAL PRODUCT INFORMATION OR COPIES OF DRAWINGS AND TECHNICAL DOCUMENTS</b>	PRODUCT INFORMATION CENTER 1-800-522-6752	<b>VOLTAGE RATING:</b> 600 V MAX
<b>FOR APPLICATION</b>	TOOLING ASSISTANCE CENTER 1-800-722-1111	<b>CIRCULAR MIL AREA:</b> 6.64-10.54mm <sup>2</sup> [13,100-20,800] STRANDED
<b>FOR ORDER ENTRY</b>	1-800-526-5142	

THIS DRAWING IS A CONTROLLED DOCUMENT.

DIMENSIONS:	TOLERANCES UNLESS OTHERWISE SPECIFIED:
mm [INCHES]	
0 PLC	± -
1 PLC	± -
2 PLC	± 0.20 [0.008]
3 PLC	± -
4 PLC	± -
ANGLES	± -

**MATERIAL:** COPPER PER ASTM B-152  
PVC, COLOR: RED

**FINISH:** TIN PLATE PER ASTM-B545

DWN S.S. GOULDEN 9-29-93	TE Connectivity	
CHK R. HERSEY 9-29-93	NAME	
APVD B. BARE 9-29-93	TERMINAL, RING TONGUE, PLASTI-GRIP, WIRE SIZE: 8 AWG	
PRODUCT SPEC NOT AVAILABLE	SIZE A3	CAGE CODE 00779
APPLICATION SPEC 114-2161	DRAWING NO C-52263	RESTRICTED TO -
WEIGHT -	CUSTOMER DRAWING	SCALE 4:1
	SHEET 1 OF 1	REV R3