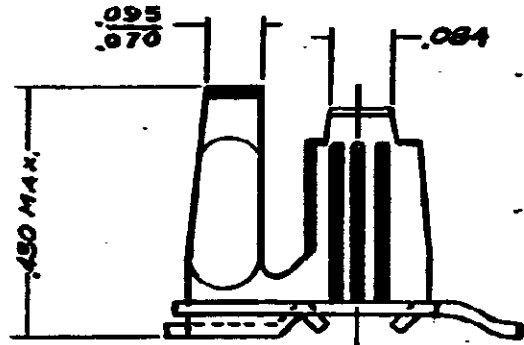
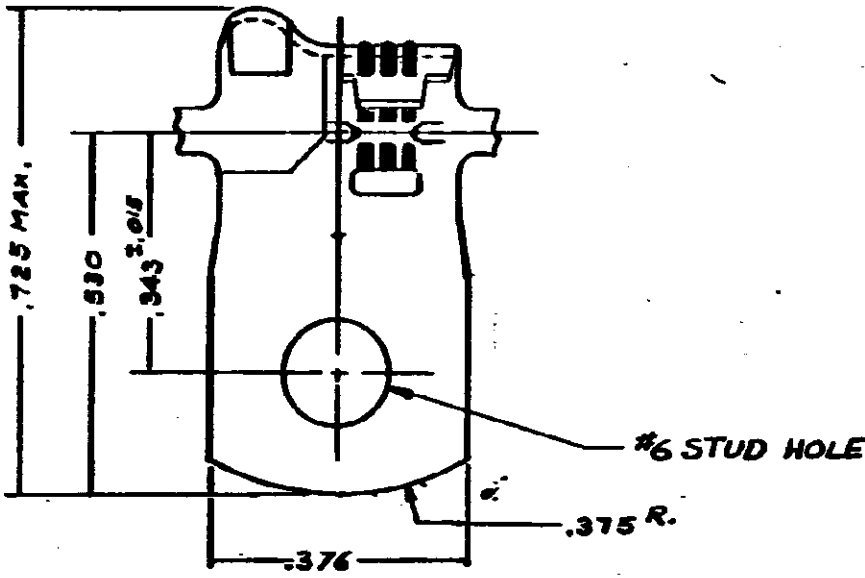


SUPPLEMENT TO
42189

USED ON



REV.	NO.	DATE	BY	DESCRIPTION
1				
2				
3	X			
4				
5				
6				
7				
8				
9				
10				
11				
12				
13				
14				
15				
16				
17				
18				
19				
20				
21				
22				
23				
24				
25				
26				
27				
28				
29				
30				
31				
32				
33				

MATERIAL: .0176 COMM. BRASS
FINISH: 42189-1 TIN

© THE 2 BY AMP INCORPORATED
AMP PRODUCTS COVERED BY PATENTS
AND/OR PATENTS PENDING.

CUSTOMER DRAWING

AMP INCORPORATED
AUTOMATIC MACHINE DIVISION
HARRISBURG, PENNA.

167
FLAG RING

WIRE RANGE #18 - #12
INSULATION RANGE .110 - .210
TOLERANCES- ALL DIMENSIONS ±.010, EXCEPT AS NOTED.

01 RESTORATION
NO. ALTERATION DATE BY E.C.R.

D. GILKELI 5-22-59 D.E. J. HENDBLET 5-22-59
CL. DILLIPLANE 5-22-59 W. E.S. K. 5-22-59

SCALE: 4-1 SUPPLEMENT TO 42189