

4

3

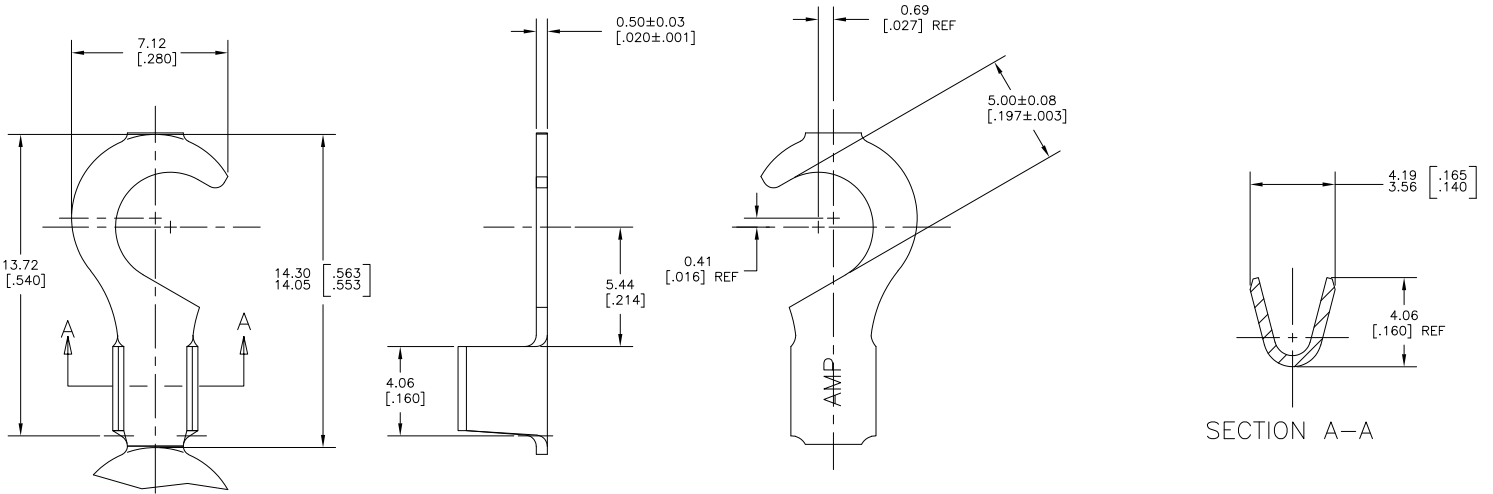
2

1

THIS DRAWING IS UNPUBLISHED. RELEASED FOR PUBLICATION  
 © COPYRIGHT BY TYCO ELECTRONICS CORPORATION. ALL RIGHTS RESERVED.

LOC	DIST	REVISIONS			
P	LTR	DESCRIPTION	DATE	BY	APPD
AF	50				
		REVISED PER ECR-10-006099	07JUL10	HMR	PD

1. CONTINUOUS STRIP ON REELS.
2. WIRE RANGE: 0.8-2.0mm<sup>2</sup> [#18-#14] AWG.



41461

PART NUMBER

THIS DRAWING IS A CONTROLLED DOCUMENT.		DWG: MICHAEL S. FEHNER 180C72007 CHK: MICHAEL S. FEHNER 180C72007 DONALD F. DECKER 180C72007 APP: DONALD F. DECKER 180C72007 PRODUCT SPEC:	Tyco Electronics Corporation Harrisburg, PA 17105-3608
DIMENSIONS: INCHES: 0 PLG ± - 1 PLG ± - 2 PLG ± - 3 PLG ± 0.38 [0.15] 4 PLG ± - ANGLES: ± -	TOLERANCES UNLESS OTHERWISE SPECIFIED: 0 PLG ± - 1 PLG ± - 2 PLG ± - 3 PLG ± 0.38 [0.15] 4 PLG ± - ANGLES: ± -	NAME: DONALD F. DECKER APPLICATION SPEC: - WEIGHT: -	SIZE: A2 CASE CODE: 00779 DRAWING NO: C=41461 RESTRICTED TO: -
MATERIAL: 082 BRASS	FINISH: TIN	CUSTOMER DRAWING	SCALE: 8:1 SHEET: 1 of 1 REV: C

AMP 1471-9 REV 31MM2000

41461

A