

4

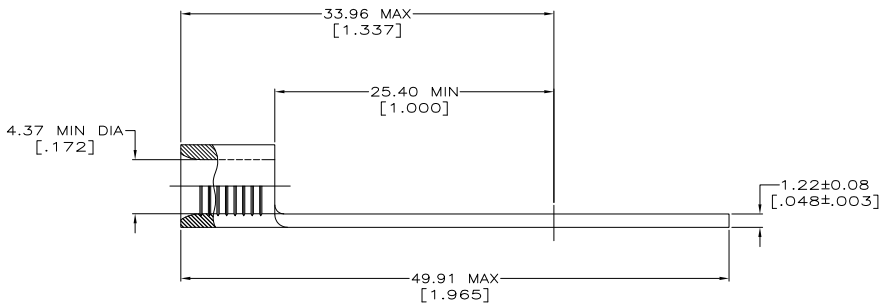
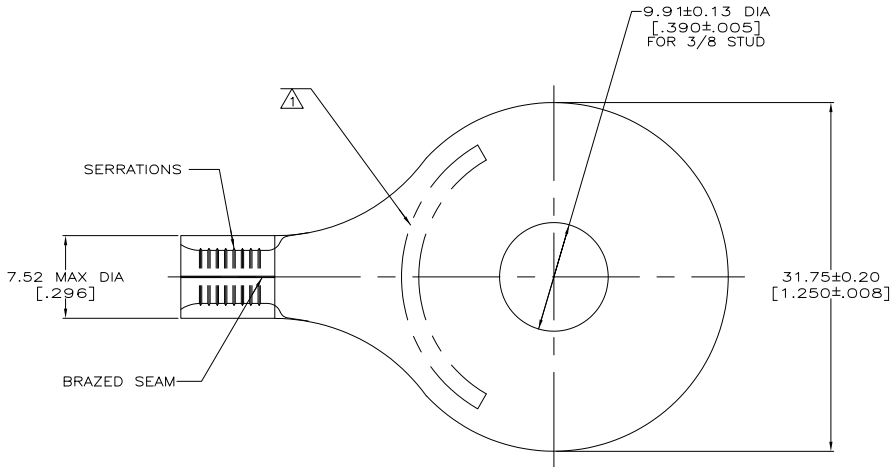
3

2

1

THIS DRAWING IS UNPUBLISHED. RELEASED FOR PUBLICATION
 © COPYRIGHT BY TYCO ELECTRONICS CORPORATION. ALL INTERNATIONAL RIGHTS RESERVED.

LOC	DIST	REVISIONS			
P	LTR	DESCRIPTION	DATE	BY	APPD
G	14				
		C1	REV PER EDR 09-027810	29DEC09	JR TM



AMP WIRE RANGE	UL Listed FILE E13288	LR7189 Certified
8 AWG SOLID OR STRANDED	8 AWG STRANDED	8 AWG SOLID OR STRANDED

- 1 STAMP AMP 8* APPROX AS SHOWN
- 2 COPPER PER ASTM B-152, ANNEALED
- 3 TIN PLATE 0.00254 [0.00100] MIN THK PER ASTM B-545

36499
PART NO.

MAX RECOMMENDED OPERATING TEMPERATURE: 170°C MAX	VOLTAGE RATING: N/A	CIRCULAR MIL AREA: 8.64-10.5mm ² [13,100-20,800] SOLID OR STRANDED	THIS DRAWING IS A CONTROLLED DOCUMENT.		DR TA BRINKMAN 3-24-93 CR DA PATTERSON 3-24-93 DR JIL MECKLEY 3-24-93 PRODUCT SPEC:	Tyco Electronics Corporation Harrisburg, PA 17105-3608 TERMINAL, RING TONGUE, SOLISTRAND	SIZE: A2 CASE CODE: 00779 DRAWING NO: C=36499	RESTRICTED TO: —	
MATERIAL: —			DIMENSIONS: MM [INCHES]		DIMENSIONS: 0 PLG — 1 PLG — 2 PLG — 3 PLG — 4 PLG — ANGLES: — FINISH: —	APPLICATION SPEC: — WEIGHT: —	SCALE: 4:1	SHEET: 1 of 1	REV: C1

1471-9 (1/08)

36499

A