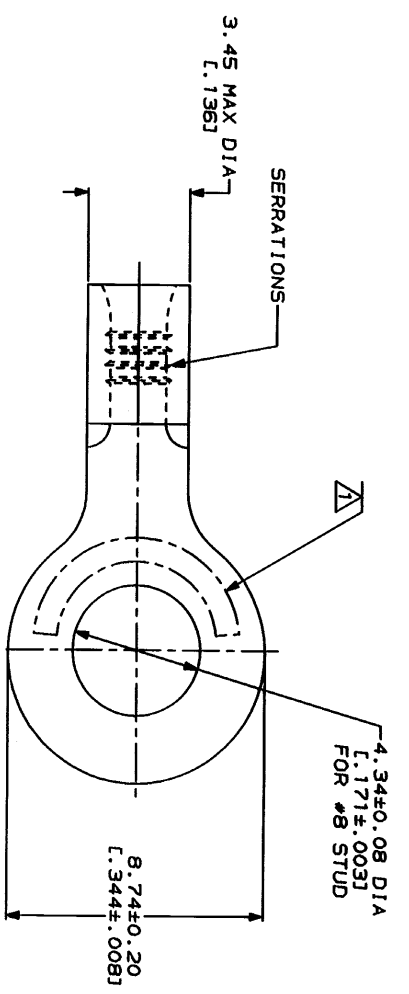


LOG	Q187	REV	DATE	APP
6	14	1	0720-0230-93	

REV	DESCRIPTION	DATE	APP
1	REVISED PER 0720-0230-93		



WIRE RANGE	E13288 Listed
22-16 AWG STRANDED	22-16 AWG STRANDED
LR7189 Certified	MILITARY P/N AND CLASS
NOT CERTIFIED	NOT APPLICABLE



△ STAMP AMP 22-18\* APPROX AS SHOWN  
 22-16 TERMINALS ARE STAMPED 22-18 IN  
 ACCORDANCE WITH MILITARY SPECIFICATION  
 MIL-T-79289, COMMERCIAL WIRE RANGE IS 22-16

**AMP INCORPORATED  
 CUSTOMER SERVICE SYSTEMS**

FOR ADDITIONAL PRODUCT INFORMATION OR COPIES OF DRAWINGS AND TECHNICAL DOCUMENTS FOR APPLICATION TOOLING INFORMATION FOR ORDER ENTRY

PRODUCT INFORMATION CENTER 1-800-522-6752  
 TOOLING ASSISTANCE CENTER 1-800-722-1111  
 1-800-526-5142

MAX RECOMMENDED OPERATING TEMPERATURE: 170°C MAX

VOLTAGE RATING: NOT APPLICABLE

WIRE CROSS SECTIONAL AREA RANGE: 0.26-1.65mm² (509-3,260) CIR MILS STRANDED

DO NOT SCALE PRINT. UNLESS SPECIFIED OTHERWISE DIMENSIONS IN INCHES - TOLERANCES ON ±

FINISH: TIN PLATE 0.0025±(1.00100) MIN THK PER MIL-T-10727

DR 2-26-93 TA BRINKMAN	CHK 2-26-93 DA PATTERSON
APPD 2-26-93 DE MILLER	APPD 2-26-93 L RECKLEY

DR 2-26-93 TA BRINKMAN	CHK 2-26-93 DA PATTERSON	APPD 2-26-93 DE MILLER	APPD 2-26-93 L RECKLEY
SIZE 00779	CASE CODE 00779	DRAWING NO 32823	SHEET 1 OF 1

AMP Incorporated  
 Harrisburg, PA 17105-3608

**TERMINAL, RING TONGUE,  
 BUDGET**

32823  
 PART NO