

4

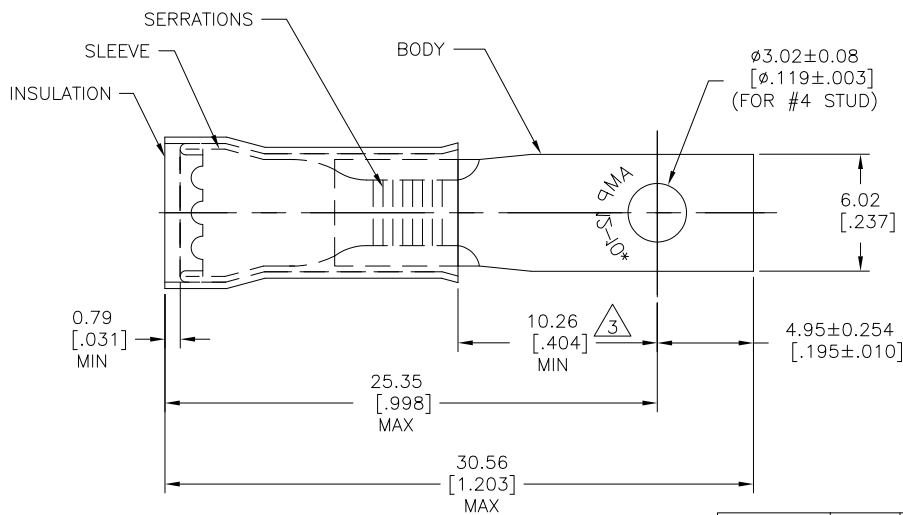
3

2

1

THIS DRAWING IS UNPUBLISHED. RELEASED FOR PUBLICATION  
 © COPYRIGHT - BY TYCO ELECTRONICS CORPORATION. ALL INTERNATIONAL RIGHTS RESERVED.

LOC	DIST	REVISIONS				
P	LTR	DESCRIPTION	DATE	DWN	APVD	
G	14					
	K2	REVISED PER ECR-09-026553	04DEC09	JR	TM	



- 1 TONGUE MATERIAL THK: 1.02±0.05[.040±.002]
- 2 FOR 3.81[.150] TO 5.84[.230] WIRE INSULATION DIA
- 3 APPLIES FROM THE METAL EDGE OF THE BARREL TO THE CENTER OF THE STUD
- 4 MEETS MS17143-18, CLASS 1 & 2

OBSOLETE	1	<del>2-327966-1</del> ON TAPE	BODY & SLEEVE: COPPER (ASTM-B152) TIN PL (ASTM-B545)	<del>2-327966-3</del>
OBSOLETE	1	WIRE TERMINAL	INSULATION: NYLON (ASTM-D4066) TYPE 1, COLOR: YELLOW	<del>2-327966-1</del>
OBSOLETE	1	<del>327966</del> <del>ON TAPE</del>	BODY: COPPER (ASTM-B152) TIN PL (ASTM-B545) SLEEVE: COPPER (ASTM-B152)	<del>2-327966-2</del>
	1	WIRE TERMINAL	INSULATION: NYLON COLOR: YELLOW	△ 327966
	QTY	DESCRIPTION	MATERIAL & FINISH	PART NO

THIS DRAWING IS A CONTROLLED DOCUMENT.		DWN RAGHAVENDRA 02SEP09	Tyco Electronics Corporation Harrisburg, PA 17105-3608	
DIMENSIONS: mm [INCHES]		CHK JEFF RUTH 02SEP09	NAME TOM MICHIELUTTI	
TOLERANCES UNLESS OTHERWISE SPECIFIED:		APVD TOM MICHIELUTTI 02SEP09	PRODUCT SPEC ---	
0 PLC ± -		APPLICATION SPEC ---	SIZE A3	
1 PLC ± -		WEIGHT ---	CAGE CODE 00779	DRAWING NO C-327966
2 PLC ± -			RESTRICTED TO ---	
3 PLC ± 0.20 [.008]			SCALE 5:1	SHEET 1 of 1
4 PLC ± -				REV K2
ANGLES ± 5°				
MATERIAL SEE TABLE	FINISH SEE TABLE	CUSTOMER DRAWING		