

4

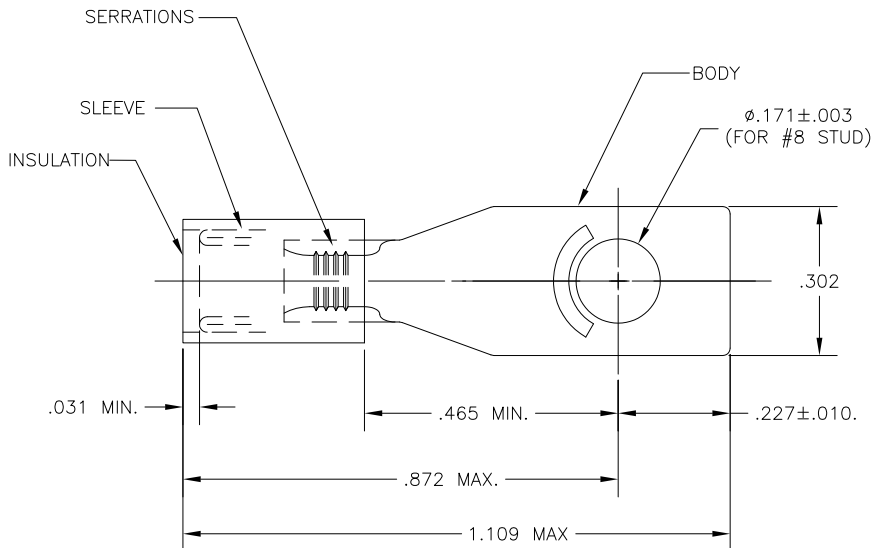
3

2

1

THIS DRAWING IS UNPUBLISHED. RELEASED FOR PUBLICATION
 © COPYRIGHT - BY TYCO ELECTRONICS CORPORATION. ALL INTERNATIONAL RIGHTS RESERVED.

LOC	DIST	REVISIONS			
P	LTR	DESCRIPTION	DATE	DWN	APVD
G	02				
	K3	REVISED PER ECR-09-026553	04DEC09	JR	TM



- △1 SUPERSEDED BY 327944
- 2 TONGUE MATERIAL THK=.031±.002 FOR .105 TO .140 WIRE INS. DIA
- 3 MARKING 22-18 FOR MILITARY COMMERCIAL RANGE 22-16
- △4 MEETS MS17143-7, CLASS 1 & 2
- △5 MEETS MS17143-7, CLASS 2

100	LOOSE PC. BOX	8-327944-1	INSULATION SLEEVE, BODY: SAME AS 327944
△1 5000	2-327944-1 ON TAPE	2-327944-3	INSULATION: VINYL COLOR: RED
△1 1000	WIRE TERMINAL	2-327944-1	BODY&SLEEVE: COPPER ASTM B-152 TIN PL ASTM B-545
△1 5000	327944 ON TAPE	2-327944-2 △5	INSULATION: NYLON COLOR: RED
1000	WIRE TERMINAL	327944 △4	SLEEVE: COPPER ASTM B-152
			BODY: COPPER ASTM B-152
			TIN PL ASTM B-545
QTY	DESCRIPTION	PART NO	MATERIAL & FINISH

DIMENSIONS:		TOLERANCES UNLESS OTHERWISE SPECIFIED:		DWN		Tyco Electronics		Tyco Electronics Corporation	
INCHES				RAGHAVENDRA HM		T MICHIELUTTI		Harrisburg, PA 17105-3608	
0 PLC		± .005		CHK		T MICHIELUTTI		NAME	
1 PLC		± .005		APVD		T MICHIELUTTI		PRODUCT SPEC	
2 PLC		± .005		APVD		T MICHIELUTTI		APPLICATION SPEC	
3 PLC		± .008		APVD		T MICHIELUTTI		WEIGHT	
4 PLC		± .010		APVD		T MICHIELUTTI		SIZE	
ANGLES		± 5°		APVD		T MICHIELUTTI		CAGE CODE	
MATERIAL		FINISH		APVD		T MICHIELUTTI		DRAWING NO	
SEE TABLE		SEE TABLE		APVD		T MICHIELUTTI		RESTRICTED TO	
				APVD		T MICHIELUTTI		CUSTOMER DRAWING	
				APVD		T MICHIELUTTI		SCALE	
				APVD		T MICHIELUTTI		SHEET	
				APVD		T MICHIELUTTI		1 OF 1	
				APVD		T MICHIELUTTI		REV	
				APVD		T MICHIELUTTI		K3	

1470-19 (1/08)