

4

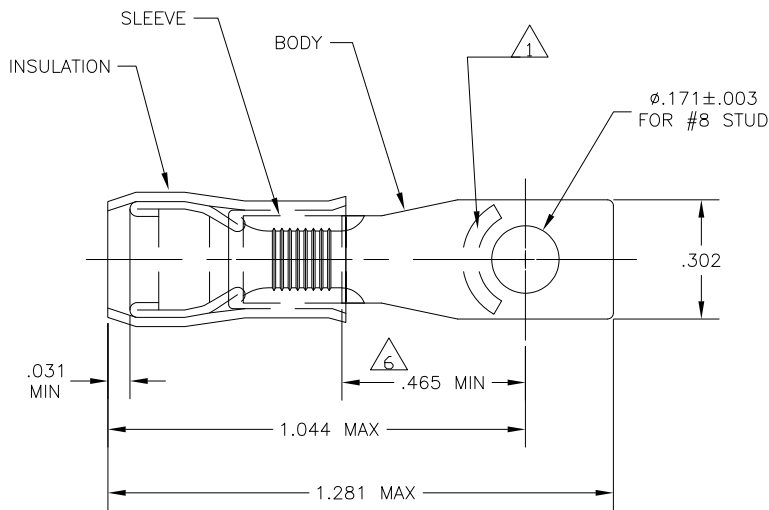
3

2

1

THIS DRAWING IS UNPUBLISHED. RELEASED FOR PUBLICATION
 © COPYRIGHT - BY TYCO ELECTRONICS CORPORATION. ALL RIGHTS RESERVED.

LOC	DIST	REVISIONS			
P	LTR	DESCRIPTION	DATE	DWN	APVD
G	14	K1	REV PER ECR 09-027414	16DEC09	JR TM



- 1 STAMP AMP 12-10* APPROX AS SHOWN
- 2 WIRE INSULATION DIA: .150-.230
- 3 TONGUE MATERIAL THK: .040±.002
- 4 BODY & SLEEVE: CU PER ASTM B152
 BODY & SLEEVE: TIN PLATE .000100 MIN EXT THK PER ASTM B545
 INSULATION: NYLON, COLOR - YELLOW
- 5 BODY & SLEEVE: CU PER ASTM B152
 BODY: TIN PLATE .000100 MIN EXT THK PER ASTM B545
 INSULATION: NYLON PER ASTM D4066
 COLOR - YELLOW
- 6 APPLIES FROM EDGE OF METAL WIRE BARREL TO CENTER OF STUD HOLE.
- 7 MEETS MS17143-9, CLASS 1 & 2

OBSOLETE	50	2-327948-1 ON TAPE & REEL	5	2-327948-3
OBSOLETE	500	327948 ON TAPE & REEL	4	2-327948-2
OBSOLETE	2500	LOOSE PIECE	5	2-327948-1
	---	LOOSE PIECE	4	327948
	QTY	PACKAGE TYPE	MATERIAL FINISH	PART NO

CUSTOMER SERVICE SYSTEMS FOR ADDITIONAL PRODUCT INFORMATION OR COPIES OF DRAWINGS AND TECHNICAL DOCUMENTS PRODUCT INFORMATION CENTER 1-800-522-6752 FOR APPLICATION TOOLING ASSISTANCE CENTER TOOLING INFORMATION 1-800-722-1111 FOR ORDER ENTRY 1-800-526-5142		MAX RECOMMENDED OPERATING TEMPERATURE: 105°C MAX VOLTAGE RATING: 300 VOLT MAX CIRCULAR MIL AREA: 2.62-6.64mm ² [5,180-13,100] STRANDED OR SOLID	THIS DRAWING IS A CONTROLLED DOCUMENT. DIMENSIONS: INCHES TOLERANCES UNLESS OTHERWISE SPECIFIED: 0 PLC ± - 1 PLC ± - 2 PLC ± - 3 PLC ± .008 4 PLC ± - ANGLES ± - MATERIAL: SEE TABLE FINISH: SEE TABLE	DWN: JR RUTH CHK: T MICHELUTTI APVD: T MICHELUTTI PRODUCT SPEC: - APPLICATION SPEC: - WEIGHT: - CUSTOMER DRAWING	16DEC09 Tyco Electronics Tyco Electronics Corporation Harrisburg, Pa 17105-3608 NAME: TERMINAL, RECTANGULAR TONGUE, PIDG WIRE SIZE: 12-10 AWG SIZE: A3 CAGE CODE: 00779 DRAWING NO: 327948 RESTRICTED TO: - SCALE: 4:1 SHEET: 1 OF 1 REV: K1
--	--	--	---	--	---

AMP 1470-19 REV 31MAR2000