

4

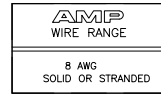
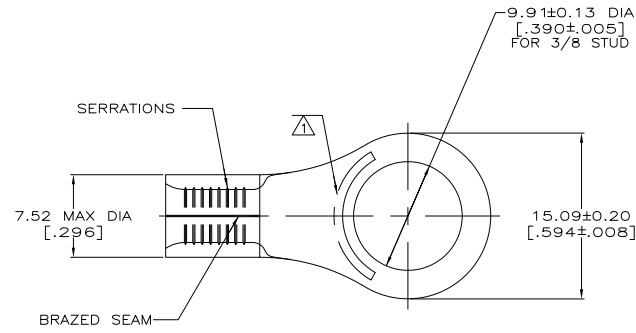
3

2

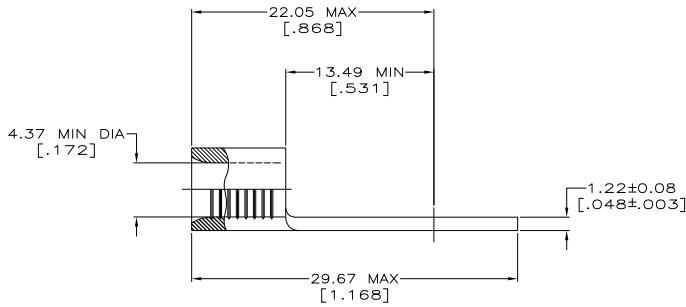
1

THIS DRAWING IS UNPUBLISHED. RELEASED FOR PUBLICATION  
 © COPYRIGHT BY TYCO ELECTRONICS CORPORATION. ALL INTERNATIONAL RIGHTS RESERVED.

LOC	DIST	REVISIONS					
		P	LTR	DESCRIPTION	DATE	BY	APPD
G	14	F1		REV PER ECR 09-027810	29DEC09	JR	TM



- ① STAMP AMP 8\* APPROX AS SHOWN
- ② COPPER PER ASTM B-152, ANNEALED
- ③ NICKEL PLATE 0.00762 [.000300] MIN THK PER QQ-N-290



323168

PART NO.

MAX RECOMMENDED OPERATING TEMPERATURE: 343°C MAX	VOLTAGE RATING: N/A	CIRCULAR MIL AREA: 8.64-10.5mm² [13,100-20,800] SOLID OR STRANDED	THIS DRAWING IS A CONTROLLED DOCUMENT.		DW: J.A. BRINKMAN 4-19-93 OK: J.A. PATTERSON 4-19-93 J.P.C. 4-19-93 J.L. MECKLEY PRODUCT SPEC: 4-19-93 APPLICATION SPEC: --- HEIGHT: ---	Tyco Electronics Corporation Harrisburg, PA 17105-3608 TERMINAL, RING TONGUE, HEAT RESISTANT, STRATO-THERM	SIZE: A2 CASE CODE: 00779 DRAWING NO: C=323168 RESTRICTED TO: ---
MATERIAL: - ①			FINISH: - ③		CUSTOMER DRAWING		SCALE: 4:1 SHEET: 1 of 1 REV: F1

1471-9 (1/08)

323168

A