



# Micropower, Ultra-Small, Single/Dual/Quad, Single-Supply Comparators

## General Description

The MAX9021/MAX9022/MAX9024 single/dual/quad comparators are optimized for low-power consumption while still providing a fast output response. They are designed for single-supply applications from 2.5V to 5.5V, but can also operate from dual supplies. These comparators have a 3 $\mu$ s propagation delay and consume 2.8 $\mu$ A of supply current per comparator over the -40°C to +125°C operating temperature range. The combination of low-power, single-supply operation down to 2.5V, and ultra-small footprint makes these devices ideal for portable applications.

The MAX9021/MAX9022/MAX9024 have 4mV of built-in hysteresis to provide noise immunity and prevent oscillations even with a slow-moving input signal. The input common-mode range extends from the negative supply to within 1.1V of the positive supply. The design of the comparator-output stage substantially reduces switching current during output transitions, eliminating power-supply glitches.

The MAX9021 single comparator is available in tiny 5-pin SC70 and SOT23 packages. The MAX9022 dual comparator is available in 8-pin SOT23,  $\mu$ MAX®, and SO packages, and the MAX9024 quad comparator is available in 14-pin TSSOP and SO packages.

## Applications

Battery-Powered	Digital Line Receivers
Portable Systems	Keyless Entry Systems
Mobile Communications	Threshold Detectors/ Discriminators
Sensor-Signal Detection	
Photodiode Preamps	

## Features

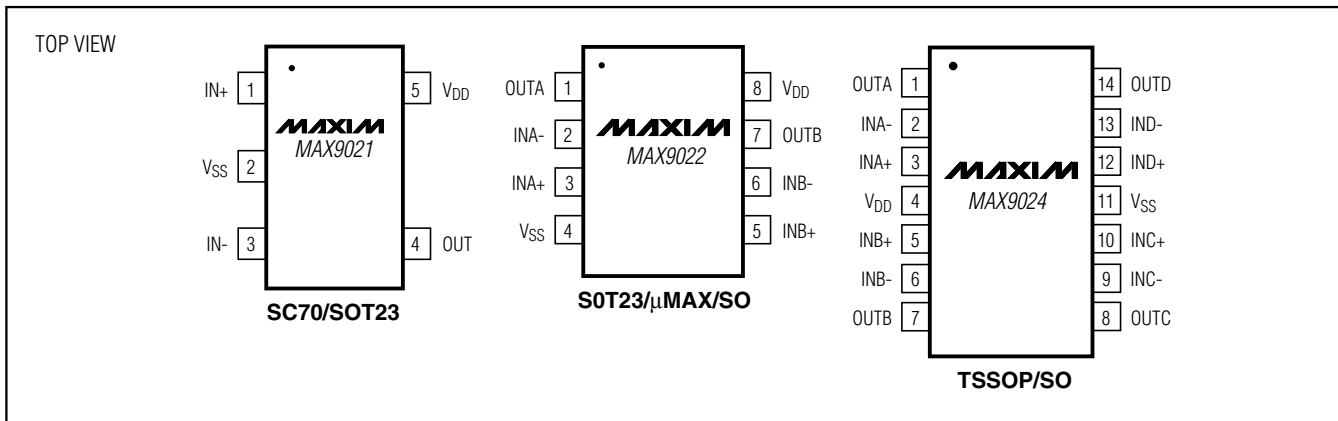
- ◆ Low-Cost Solution Available in Space-Saving SC70 Packages (Half the Size of SOT23)
- ◆ Low 2.8 $\mu$ A Supply Current
- ◆ 3 $\mu$ s Propagation Delay
- ◆ Internal 4mV Comparator Hysteresis
- ◆ Comparator Output Swings Rail-to-Rail
- ◆ 2.5 to 5.5V Single-Supply Voltage Range
- ◆ No Phase Reversal for Overdriven Inputs
- ◆ Space-Saving Packages
  - 5-Pin SC70 (MAX9021)
  - 8-Pin SOT23 (MAX9022)
  - 8-Pin  $\mu$ MAX (MAX9022)
  - 14-Pin TSSOP (MAX9024)

## Ordering Information

PART	TEMP RANGE	PIN-PACKAGE	PKG CODE
MAX9021AXK-T	-40°C to +125°C	5 SC70-5	X5-1
MAX9021AUK-T	-40°C to +125°C	5 SOT23-5	U5-1
MAX9022AKA-T	-40°C to +125°C	8 SOT23-8	K8-5
MAX9022AUA	-40°C to +125°C	8 $\mu$ MAX	U8-1
MAX9022ASA	-40°C to +125°C	8 SO	S8-2
MAX9024AUD	-40°C to +125°C	14 TSSOP	U14-1
MAX9024ASD	-40°C to +125°C	14 SO	S14-2

Typical Application Circuit appears at end of data sheet.

## Pin Configurations



$\mu$ MAX is a registered trademark of Maxim Integrated Products, Inc.



Maxim Integrated Products 1

**For pricing, delivery, and ordering information, please contact Maxim/Dallas Direct! at 1-888-629-4642, or visit Maxim's website at [www.maxim-ic.com](http://www.maxim-ic.com).**

MAX9021/MAX9022/MAX9024

# Micropower, Ultra-Small, Single/Dual/Quad, Single-Supply Comparators

## ABSOLUTE MAXIMUM RATINGS

Supply Voltage ( $V_{DD}$  to  $V_{SS}$ ) .....-0.3V to +6V  
 Voltage Inputs ( $IN+$ ,  $IN-$  to  $V_{SS}$ ) .....-0.3V to ( $V_{DD}$  + 0.3V)  
 Differential Input Voltage ( $IN+$  to  $IN-$ ).....6.6V  
 Current into Input Pins ..... $\pm 20$ mA  
 Output Short-Circuit Duration .....2s to Either  $V_{DD}$  or  $V_{SS}$   
 Current into Any Pin .....20mA  
 Continuous Power Dissipation ( $T_A = +70^\circ\text{C}$ )  
   5-Pin SC70 (derate 3.1mW/ $^\circ\text{C}$  above  $+70^\circ\text{C}$ ).....247mW  
   5-Pin SOT23 (derate 7.1mW/ $^\circ\text{C}$  above  $+70^\circ\text{C}$ ).....571mW  
   8-Pin SOT23 (derate 9.1mW/ $^\circ\text{C}$  above  $+70^\circ\text{C}$ ).....727mW

8-Pin  $\mu\text{MAX}$  (derate 4.5mW/ $^\circ\text{C}$  above  $+70^\circ\text{C}$ ) .....362mW  
 8-Pin SO (derate 5.88mW/ $^\circ\text{C}$  above  $+70^\circ\text{C}$ ).....471mW  
 14-Pin TSSOP (derate 9.1mW/ $^\circ\text{C}$  above  $+70^\circ\text{C}$ ) .....727mW  
 14-Pin SO (derate 8.3mW/ $^\circ\text{C}$  above  $+70^\circ\text{C}$ ).....667mW  
 Operating Temperature Range  
   Automotive Application..... $-40^\circ\text{C}$  to  $+125^\circ\text{C}$   
   Junction Temperature ..... $+150^\circ\text{C}$   
   Storage Temperature Range ..... $-65^\circ\text{C}$  to  $+150^\circ\text{C}$   
   Lead Temperature (soldering, 10s) ..... $+300^\circ\text{C}$

Stresses beyond those listed under "Absolute Maximum Ratings" may cause permanent damage to the device. These are stress ratings only, and functional operation of the device at these or any other conditions beyond those indicated in the operational sections of the specifications is not implied. Exposure to absolute maximum rating conditions for extended periods may affect device reliability.

## ELECTRICAL CHARACTERISTICS

( $V_{DD} = 5\text{V}$ ,  $V_{SS} = 0$ ,  $V_{CM} = 0$ ,  $T_A = -40^\circ\text{C}$  to  $+125^\circ\text{C}$ , unless otherwise noted. Typical values are at  $T_A = +25^\circ\text{C}$ .) (Note 1)

PARAMETER	SYMBOL	CONDITIONS	MIN	TYP	MAX	UNITS
Operating Voltage Range	$V_{DD}$	Guaranteed by PSRR test	2.5		5.5	V
Supply Current Per Comparator	$I_{DD}$			2.8	5	$\mu\text{A}$
Input Offset Voltage	$V_{OS}$	(Note 2)		$\pm 1$	$\pm 8$	mV
Input Offset Voltage Temperature Coefficient	$TCV_{OS}$			$\pm 1$		$\mu\text{V}/^\circ\text{C}$
Hysteresis		(Note 3)		4		mV
Input Bias Current	$I_{BIAS}$			3	80	nA
Input Offset Current	$I_{OS}$			$\pm 2$	$\pm 60$	nA
Common-Mode Voltage Range	$V_{CM}$	Guaranteed by CMRR test	$V_{SS}$		$V_{DD} - 1.1$	V
Common-Mode Rejection Ratio	CMRR	$V_{SS} \leq V_{CM} \leq (V_{DD} - 1.1\text{V})$ , $V_{DD} = 5.5\text{V}$	70	100		dB
Power-Supply Rejection Ratio	PSRR	$V_{DD} = 2.5\text{V}$ to $5.5\text{V}$	60	80		dB
Output-Voltage Swing	$V_{OL}$ , $V_{OH}$	$V_{OH} = V_{DD} - V_{OUT}$ , ( $V_{IN+} - V_{IN-}$ ) $\geq 20\text{mV}$	$I_{SOURCE} = 10\mu\text{A}$	2		mV
			$I_{SOURCE} = 4\text{mA}$	160	400	
		$V_{OL} = V_{OUT} - V_{SS}$ , ( $V_{IN-} - V_{IN+}$ ) $\geq 20\text{mV}$	$I_{SINK} = 10\mu\text{A}$	2		
			$I_{SINK} = 4\text{mA}$	180	400	
Output Short-Circuit Current	$I_{SC}$			50		mA
Propagation Delay	$t_{pd+}$ , $t_{pd-}$	$R_L = 10\text{k}\Omega$ , $C_L = 15\text{pF}$ (Note 4)	$V_{OD} = 10\text{mV}$	8		$\mu\text{s}$
			$V_{OD} = 100\text{mV}$	3		
Rise and Fall Time	$t_R$ , $t_F$	$R_L = 10\text{k}\Omega$ , $C_L = 15\text{pF}$ (Note 5)		20		ns
Power-On Time		$R_L = 10\text{k}\Omega$ , $C_L = 15\text{pF}$		150		ns
Maximum Capacitive Load	$C_L$	No sustained oscillations		150		pF

**Note 1:** All devices are production tested at  $25^\circ\text{C}$ . All temperature limits are guaranteed by design.

**Note 2:** Comparator Input Offset is defined as the center of the hysteresis zone.

**Note 3:** Hysteresis is defined as the difference of the trip points required to change comparator output states.

**Note 4:**  $V_{OD}$  is the overdrive voltage beyond the offset and hysteresis-determined trip points.

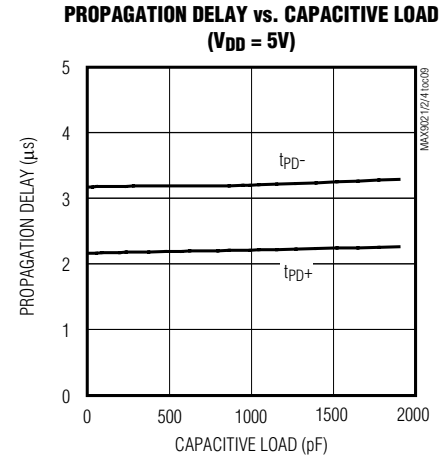
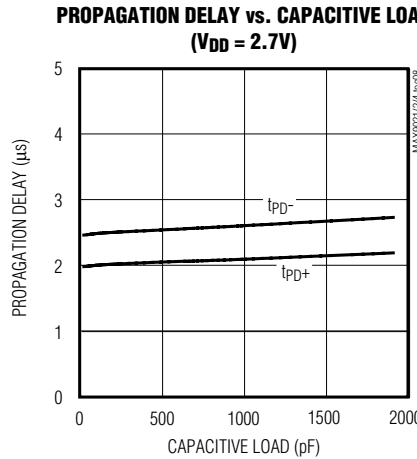
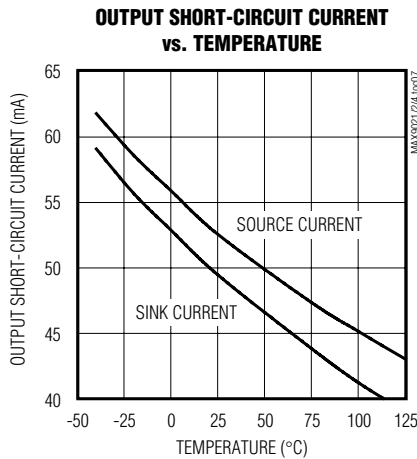
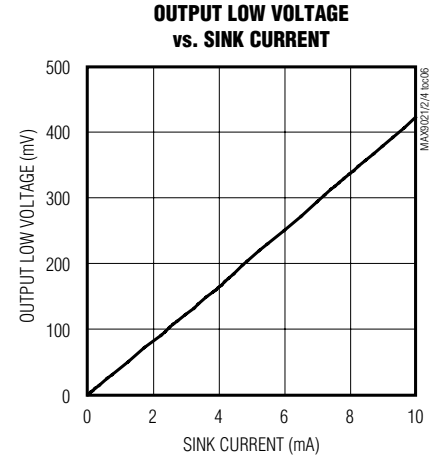
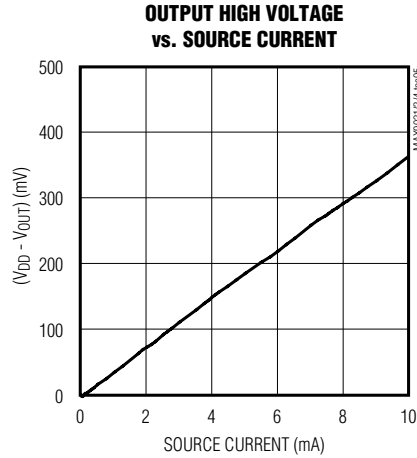
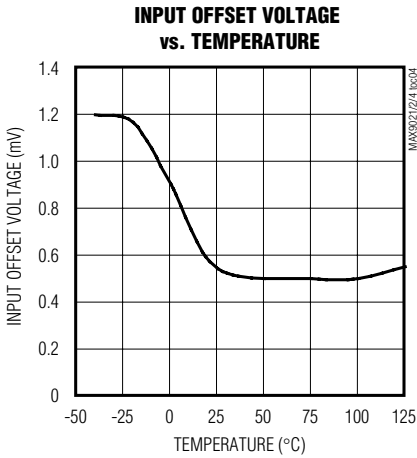
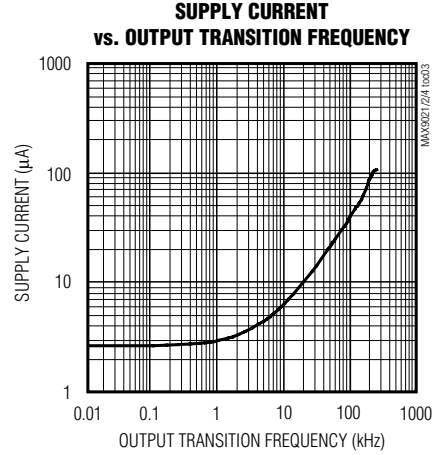
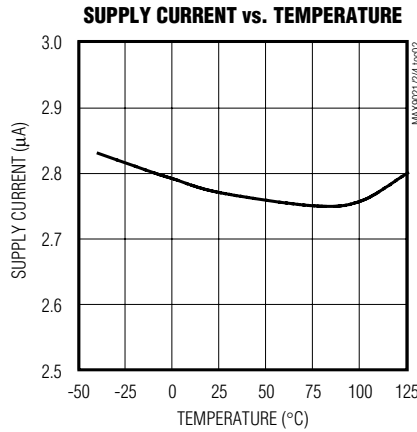
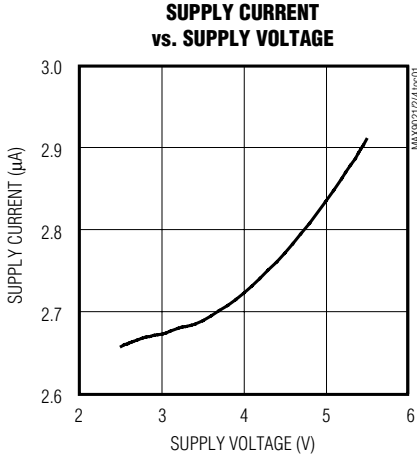
**Note 5:** Rise and fall times are measured between 10% and 90% at OUT.

# Micropower, Ultra-Small, Single/Dual/Quad, Single-Supply Comparators

## Typical Operating Characteristics

( $V_{DD} = 5V$ ,  $V_{SS} = 0$ ,  $V_{CM} = 0$ ,  $R_L = 10k\Omega$ ,  $C_L = 15pF$ ,  $V_{OD} = 100mV$ ,  $T_A = +25^\circ C$ , unless otherwise noted.)

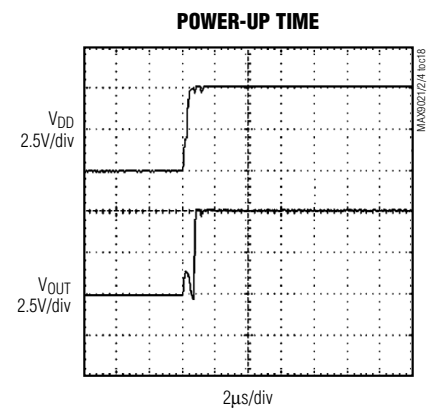
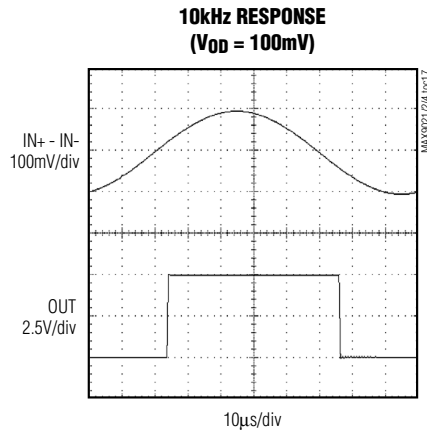
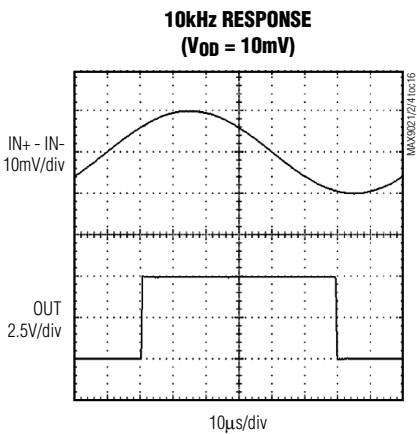
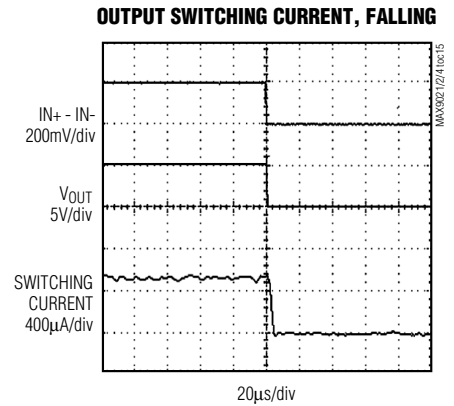
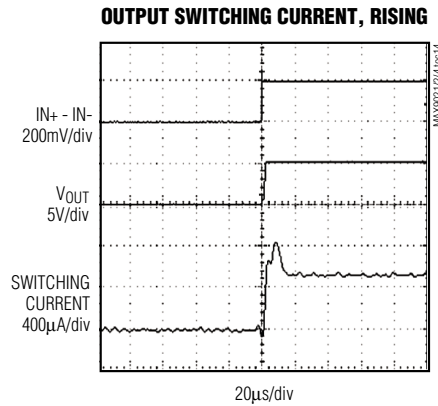
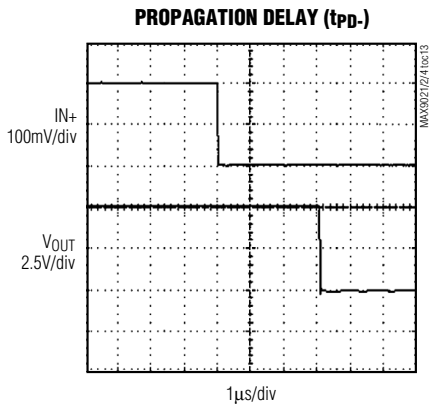
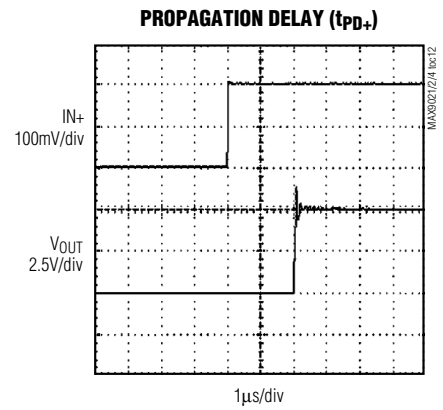
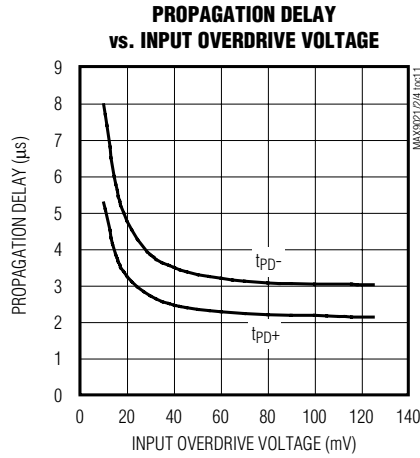
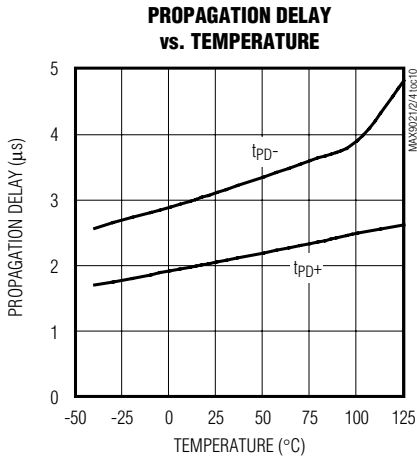
MAX9021/MAX9022/MAX9024



# Micropower, Ultra-Small, Single/Dual/Quad, Single-Supply Comparators

## Typical Operating Characteristics (continued)

( $V_{DD} = 5V$ ,  $V_{SS} = 0$ ,  $V_{CM} = 0$ ,  $R_L = 10k\Omega$ ,  $C_L = 15pF$ ,  $V_{OD} = 100mV$ ,  $T_A = +25^\circ C$ , unless otherwise noted.)



# Micropower, Ultra-Small, Single/Dual/Quad, Single-Supply Comparators

## Pin Description

MAX9021/MAX9022/MAX9024

PIN			NAME	FUNCTION
MAX9021	MAX9022	MAX9024		
1	—	—	IN+	Comparator Noninverting Input
2	4	11	V <sub>SS</sub>	Negative Supply Voltage
3	—	—	IN-	Comparator Inverting Input
4	—	—	OUT	Comparator Output
5	8	4	V <sub>DD</sub>	Positive Supply Voltage. Bypass with a 0.1µF capacitor to GND.
—	1	1	OUTA	Comparator A Output
—	2	2	INA-	Comparator A Inverting Input
—	3	3	INA+	Comparator A Noninverting Input
—	5	5	INB+	Comparator B Noninverting Input
—	6	6	INB-	Comparator B Inverting Input
—	7	7	OUTB	Comparator B Output
—	—	8	OUTC	Comparator C Output
—	—	9	INC-	Comparator C Inverting Input
—	—	10	INC+	Comparator C Noninverting Input
—	—	12	IND+	Comparator D Noninverting Input
—	—	13	IND-	Comparator D Inverting Input
—	—	14	OUTD	Comparator D Output

### Detailed Description

The MAX9021/MAX9022/MAX9024 are single/dual/quad, low-cost, low-power comparators that consume only 2.8µA and provide a propagation delay, t<sub>PD</sub>, typically 3µs. They have an operating-supply voltage from 2.5V to 5.5V when operating from a single supply and from ±1.25V to ±2.75V when operating from dual power supplies. Their common-mode input voltage range extends from the negative supply to within 1.1V of the positive supply. Internal hysteresis ensures clean output switching, even with slow-moving input signals.

### Applications Information

#### Adding Hysteresis

Hysteresis extends the comparator's noise margin by increasing the upper threshold and decreasing the lower threshold. A voltage-divider from the compara-

tor's output sets the trip voltage. Therefore, the trip voltage is related to the output voltage.

These comparators have 4mV internal hysteresis. Additional hysteresis can be generated with two resistors, using positive feedback (Figure 1). Use the following procedure to calculate resistor values:

- 1) Find the trip points of the comparator using these formulas:

$$V_{TH} = V_{REF} + ((V_{DD} - V_{REF})R_2) / (R_1 + R_2)$$

$$V_{TL} = V_{REF}(1 - (R_2 / (R_1 + R_2)))$$

where V<sub>TH</sub> is the threshold voltage at which the comparator switches its output from high to low as V<sub>IN</sub> rises above the trip point. V<sub>TL</sub> is the threshold voltage at which the comparator switches its output from low to high as V<sub>IN</sub> drops below the trip point.

# Micropower, Ultra-Small, Single/Dual/Quad, Single-Supply Comparators

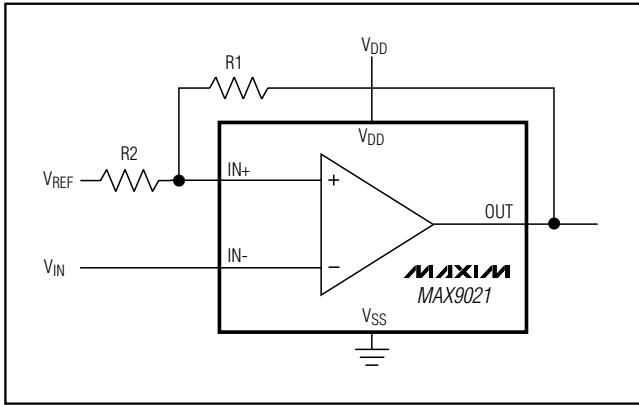


Figure 1. Additional Hysteresis

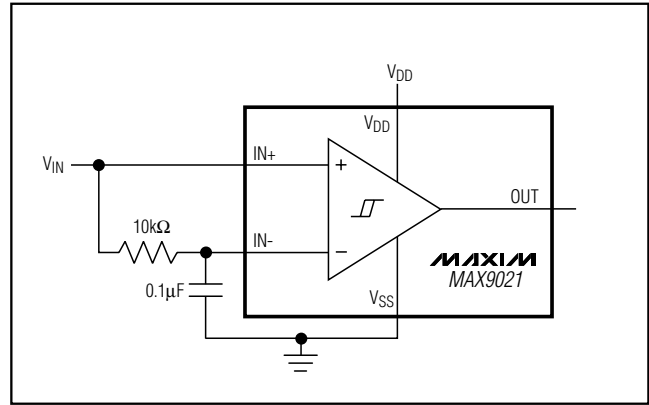


Figure 2. Time Averaging of the Input Signal for Data Recovery

2) The hysteresis band will be:

$$V_{HYS} = V_{TH} - V_{TL} = V_{DD}(R2 / (R1 + R2))$$

3) In this example, let  $V_{DD} = 5V$  and  $V_{REF} = 2.5V$ .

$$V_{TH} = 2.5V + 2.5V(R2 / (R1 + R2))$$

and

$$V_{TL} = 2.5V[(1 - (R2 / (R1 + R2)))]$$

4) Select  $R2$ . In this example, we will choose  $1k\Omega$ .

5) Select  $V_{HYS}$ . In this example, we will choose  $50mV$ .

6) Solve for  $R1$ .

$$V_{HYS} = V_{DD}(R2 / (R1 + R2))$$

$$0.050V = 5(1000\Omega / (R1 + 1000\Omega)) V$$

where  $R1 \approx 100k\Omega$ ,  $V_{TH} = 2.525V$ , and  $V_{TL} = 2.475V$ .

The above-described design procedure assumes rail-to-rail output swing. If the output is significantly loaded, the results should be corrected.

## Board Layout and Bypassing

Use  $100nF$  bypass as a starting point. Minimize signal trace lengths to reduce stray capacitance. Minimize the capacitive coupling between  $IN-$  and  $OUT$ . For slow-moving input signals (rise time  $> 1ms$ ), use a  $1nF$  capacitor between  $IN+$  and  $IN-$ .

## Biasing for Data Recovery

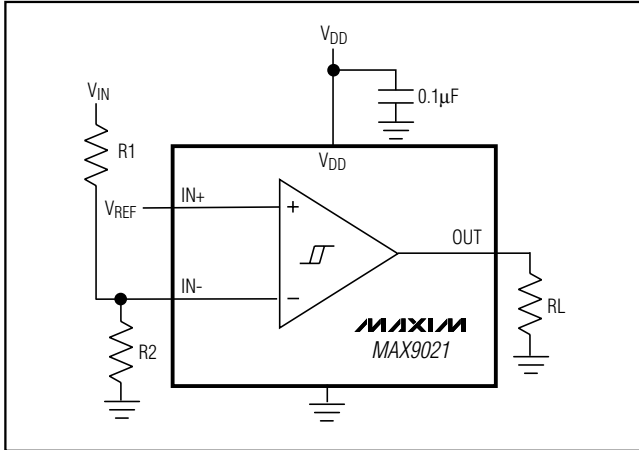
Digital data is often embedded into a bandwidth and amplitude-limited analog path. Recovering the data can be difficult. Figure 2 compares the input signal to a time-averaged version of itself. This self-biases the threshold to the average input voltage for optimal noise margin. Even severe phase distortion is eliminated from the digital output signal. Be sure to choose  $R1$  and  $C1$  so that:

$$f_{CAR} \gg 1 / (2\pi R1 C1)$$

where  $f_{CAR}$  is the fundamental carrier frequency of the digital data stream.

# Micropower, Ultra-Small, Single/Dual/Quad, Single-Supply Comparators

## Typical Application Circuit



## Chip Information

MAX9021 TRANSISTOR COUNT: 106  
 MAX9022 TRANSISTOR COUNT: 212  
 MAX9024 TRANSISTOR COUNT: 424

## Package Information

(The package drawing(s) in this data sheet may not reflect the most current specifications. For the latest package outline information, go to [www.maxim-ic.com/packages](http://www.maxim-ic.com/packages).)

COMMON DIMENSIONS		
SYMBOL	MIN	MAX
A	0.80	1.10
A1	0.00	0.10
A2	0.80	1.00
b	0.15	0.30
c	0.10	0.18
D	1.80	2.20
e	0.65 BSC.	
E	1.15	1.35
HE	1.80	2.40
L	0.26	0.46
L1	0.425 TYP.	
Q1	0.10	0.40
PKG. CODE	X5-1	

NOTES:  
 1. ALL DIMENSIONS ARE IN MILLIMETERS.  
 2. DIMENSIONS ARE INCLUSIVE OF PLATING.  
 3. DIMENSIONS ARE EXCLUSIVE OF MOLD FLASH & METAL BURR.  
 4. COMPLY TO JEITA SC-88A EXCEPT FOR DIMENSION 'L'.  
 ALL DIMENSIONS COMPLY TO JEDEC MO-203.  
 5. COPLANARITY 4 MILS. MAX.  
 △ FOOT LENGTH MEASURED AT INTERCEPT POINT BETWEEN DATUM 'A' AND LEAD SURFACE.  
 △ MARKING IS FOR PACKAGE ORIENTATION REFERENCE ONLY.  
 8. LEAD CENTERLINES TO BE AT TRUE POSITION AS DEFINED BY BASIC DIMENSION 'e', ±0.05.

-DRAWING NOT TO SCALE-

DALLAS SEMICONDUCTOR MAXIM  
 TITLE: PACKAGE OUTLINE, SL SC70  
 APPROVAL: DOCUMENT CONTROL NO. 21-0076 REV. D 1/1

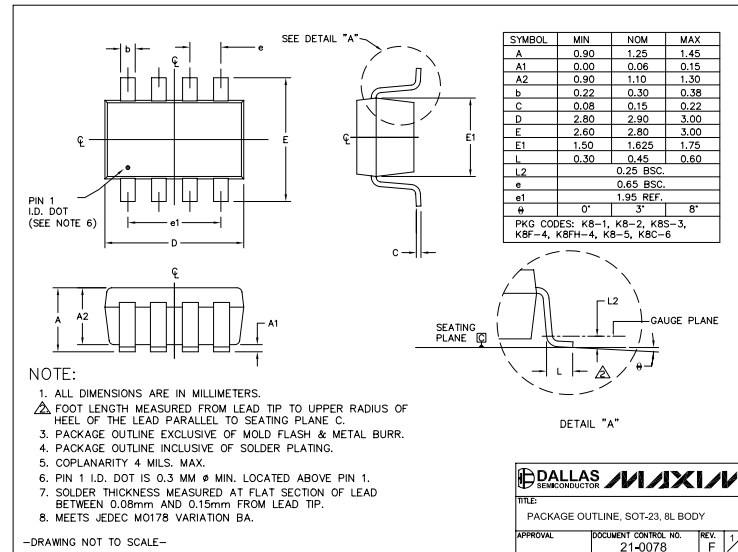
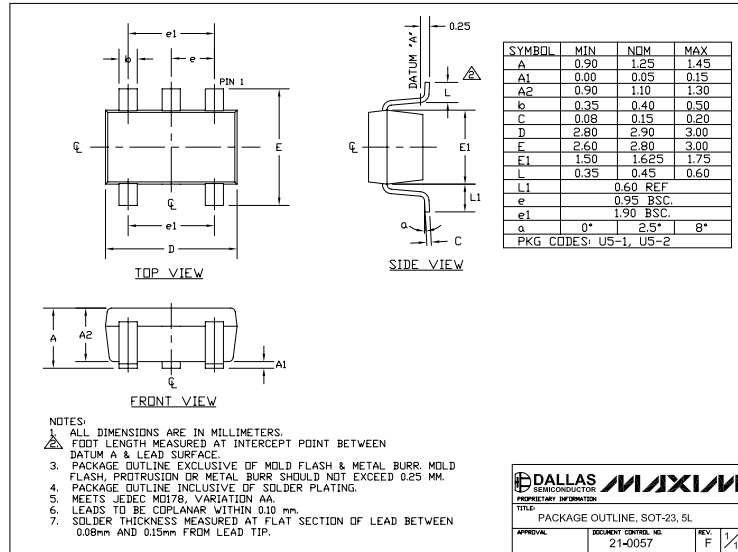
MAX9021/MAX9022/MAX9024

SC70, 5LEPS

# Micropower, Ultra-Small, Single/Dual/Quad, Single-Supply Comparators

## Package Information (continued)

(The package drawing(s) in this data sheet may not reflect the most current specifications. For the latest package outline information, go to [www.maxim-ic.com/packages](http://www.maxim-ic.com/packages).)



## Revision History

Pages changed at Rev 2: 1, 2, 6, 7, 8

Maxim cannot assume responsibility for use of any circuitry other than circuitry entirely embodied in a Maxim product. No circuit patent licenses are implied. Maxim reserves the right to change the circuitry and specifications without notice at any time.

8 **Maxim Integrated Products, 120 San Gabriel Drive, Sunnyvale, CA 94086 408-737-7600**

© 2007 Maxim Integrated Products

**MAXIM** is a registered trademark of Maxim Integrated Products, Inc.