

4

3

2

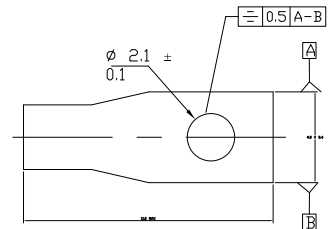
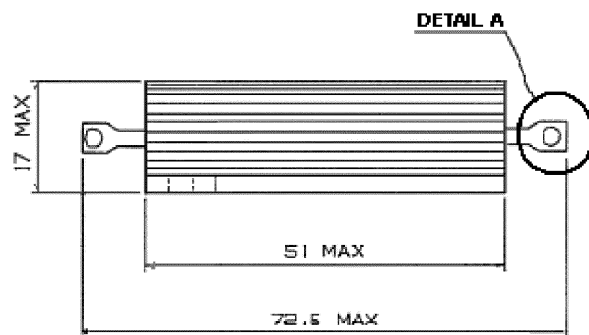
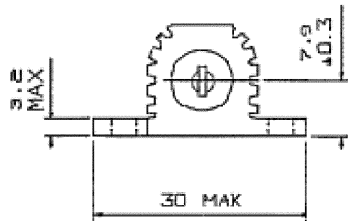
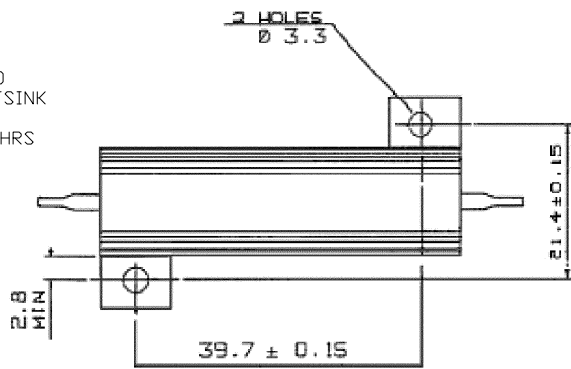
1

THIS DRAWING IS UNPUBLISHED. RELEASED FOR PUBLICATION
 © COPYRIGHT - By - ALL RIGHTS RESERVED.

LOC		DIST		REVISIONS			
P	LTR	DESCRIPTION		DATE	DWN	APVD	
P		REVISED PER ECO-11-005150		21MAR11	RK	HMR	

TECHNICAL SPECIFICATION

DISSIPATION AT 25°C 50 WATTS MOUNTED
 ON STANDARD HEATSINK
 BS OHMIC RANGE R01 TO 50 K
 STABILITY ΔR<= 1% PER 1000 HRS
 ISOLATION VOLTAGE 2500V DC/AC PK
 MAX WORKING VOLTAGE 1250V DC/AC RMS
 TEMP COEFFICIENT <100R ±50ppm/°C
 >100R ±30ppm/°C
 CLIMATIC CATEGORY 55/200/56



FOR A SPECIFIC PN FOR A RESISTANCE VALUE AND TOLERANCE, PLEASE REFER TO DMF.

RoHS Compliant

THIS DRAWING IS A CONTROLLED DOCUMENT.		DWN	19SEPT06		
		CHK	19SEPT06		
		J CATCHPOLE		NAME	
		J CATCHPOLE		THS50 NARROW BORE METAL CLAD RESISTOR	
		PRODUCT SPEC		APPLICATION SPEC	
		WEIGHT		RESTRICTED TO	
		A3		00779 ©=1879071	
		CUSTOMER DRAWING		SCALE NTS SHEET 1 of 1 REV P	