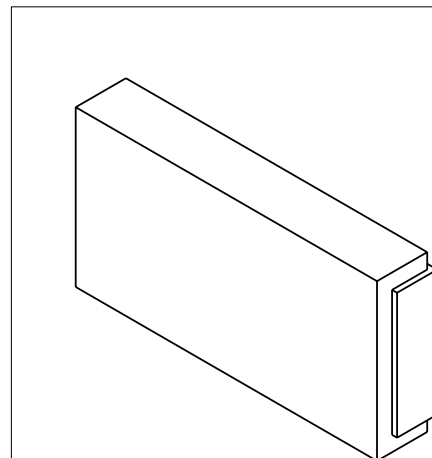
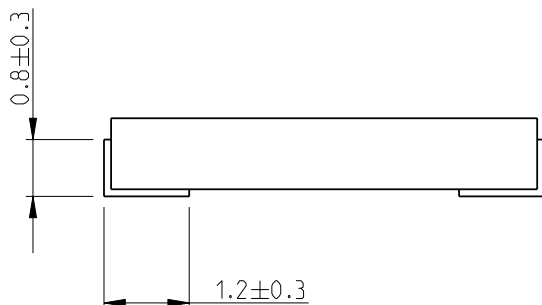
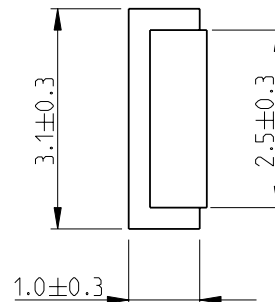
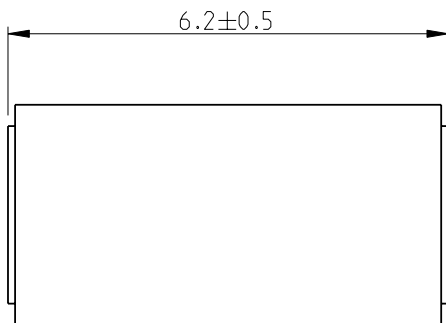


LOC	DIST	REVISIONS				
P	LTR	DESCRIPTION	DATE	DWN	APVD	
E	B	BA	NEW RELEASE	04-DEC-08	SM	St.P

FOR FURTHER INFORMATION SEE DATA SHEET FOR
SERIES HL- SMD LOW OHMIC-CURRENT SENSE RESISTORS



2008

RELEASED FOR PUBLICATION

THIS DRAWING IS UNPUBLISHED.

© COPYRIGHT 2008 BY TYCO ELECTRONICS CORPORATION. ALL RIGHTS RESERVED.

DIMENSIONS: mm	DWN	SUBHASH.M	04-DEC-08	MATERIAL	-	FINISH	-
	CHK	PRAKASH.S	04-DEC-08	Tyco Electronics Corporation Dorcan, Swindon, SN3 5HH			
TOLERANCES UNLESS OTHERWISE SPECIFIED:	APVD	STEPHEN.P	04-DEC-08				
0 PLC ±0.2	PRODUCT SPEC	-	NAME	SMD LOW OHMIC-CURRENT SENSE RESISTORS HL SERIES			
1 PLC ±0.1	APPLICATION SPEC	-	SIZE	CAGE CODE	DRAWING NO	RESTRICTED TO	
2 PLC ±	WEIGHT	-	A 4	00779	©=1625829	-	
3 PLC ±	CUSTOMER DRAWING			SCALE	10:1	SHEET	1 OF 1
4 PLC ±						REV	BA
ANGLES ±5°							