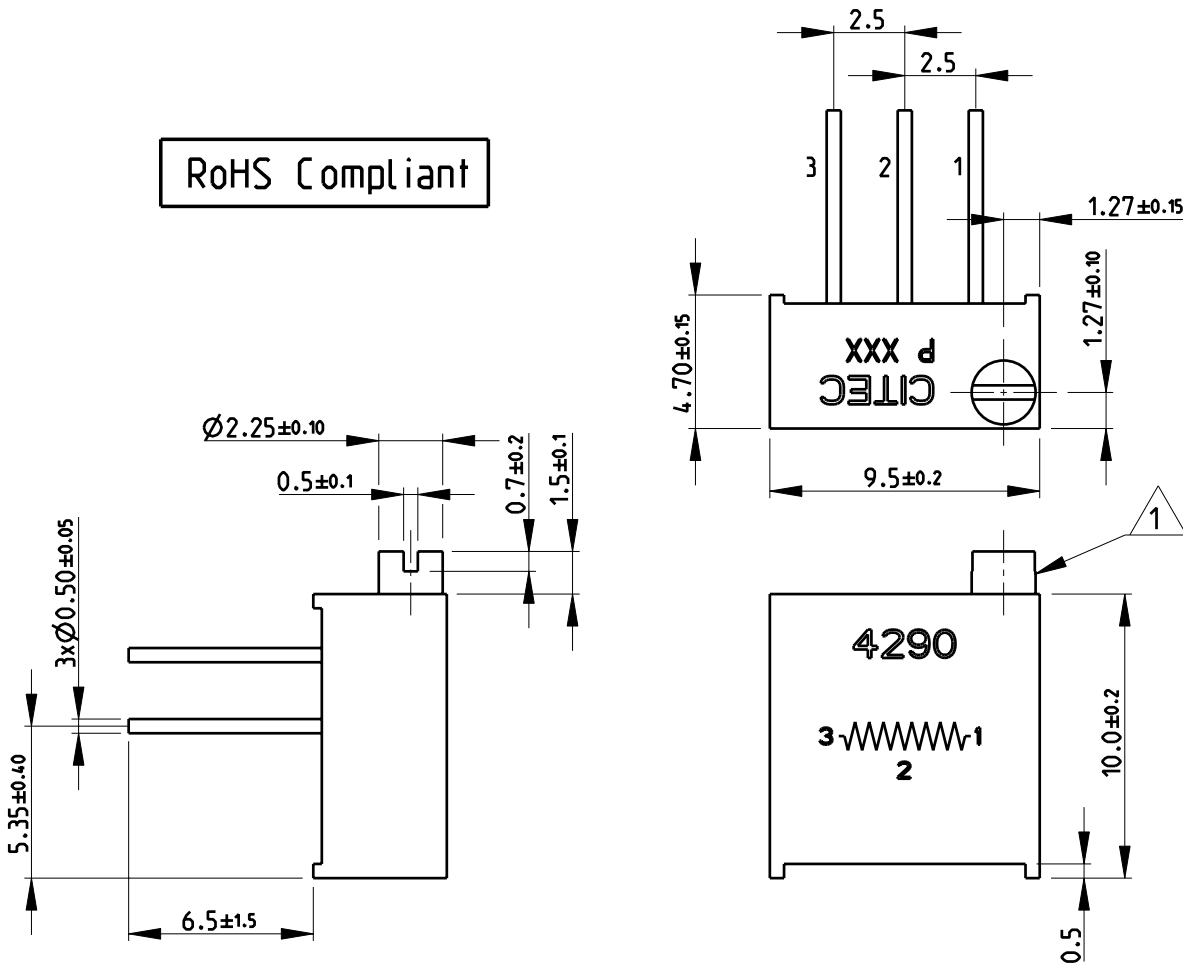


LOC	DIST	REVISIONS				DATE	DWN	APVD
E	B	P	LTR	DESCRIPTION				
		BA		NEW RELEASE		17-NOV-08	SM	St.P

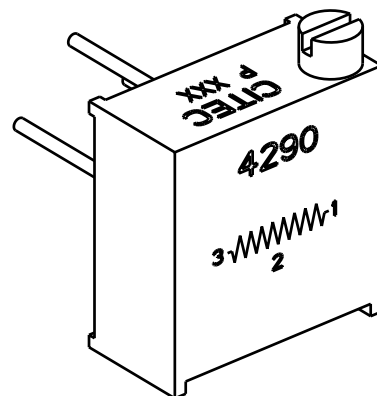
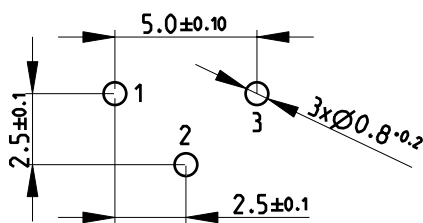
**RoHS Compliant**



1 SIDE ADJUSTMENT SCREW

2 FOR FURTHER INFORMATION SEE DATA SHEET FOR 4290 SERIES-PROFESSIONAL TRIMMERS

PCB PIERCING PLAN



2008  
RELEASED FOR PUBLICATION  
THIS DRAWING IS UNPUBLISHED.  
COPYRIGHT 2008 BY TYCO ELECTRONICS CORPORATION. ALL RIGHTS RESERVED.

DIMENSIONS: <b>mm</b>	DWN	17-NOV-08	MATERIAL	FINISH	
	CHK	17-NOV-08	Tyco Electronics Corporation Dorcan, Swindon, SN3 5HH		
TOLERANCES UNLESS OTHERWISE SPECIFIED:	APVD	17-NOV-08			
0 PLC ±0.2	PRODUCT SPEC	-	PROFESSIONAL TRIMMERS		
1 PLC ±0.1	APPLICATION SPEC	-	SERIES 4290P		
2 PLC ±	WEIGHT	0.8g Approx.	SIZE	CAGE CODE	DRAWING NO
3 PLC ±	CUSTOMER DRAWING		A 4	00779	©-1623848
4 PLC ±			SCALE	4:1	SHEET
ANGLES ±5°			RESTRICTED TO	REV BA	