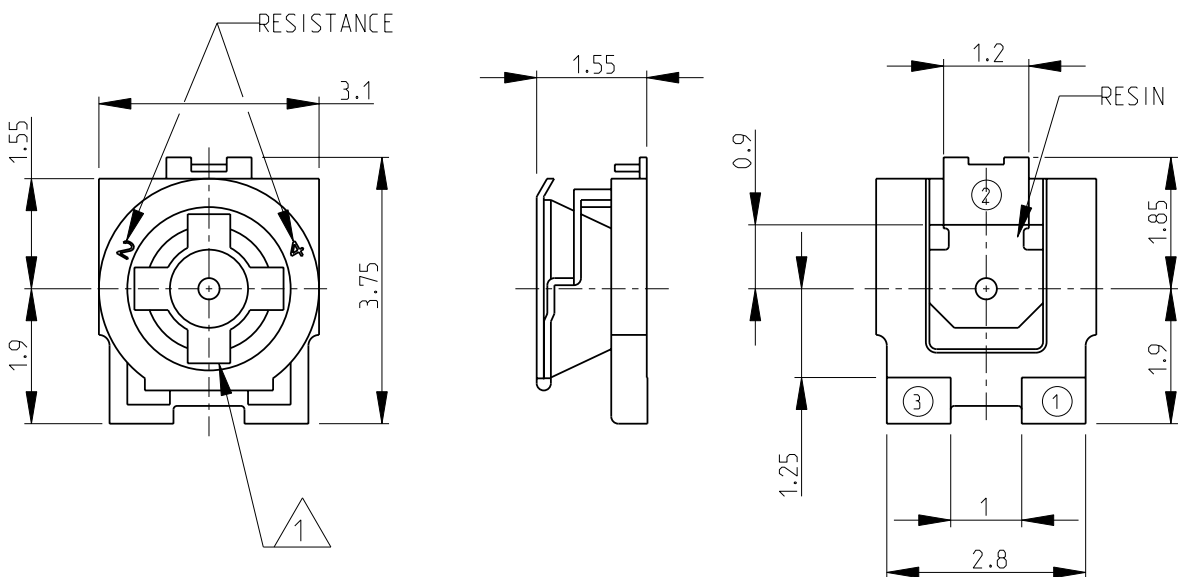
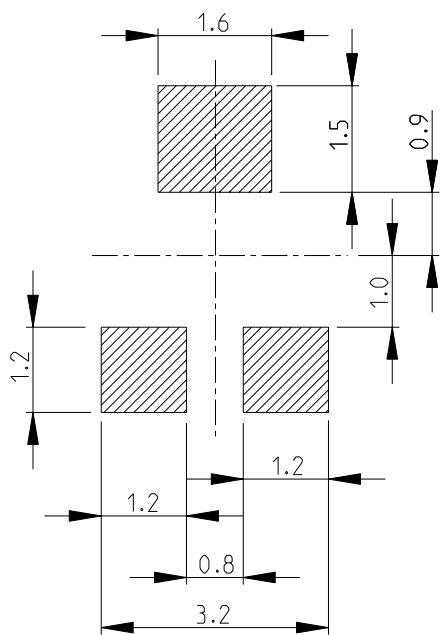


LOC	DIST	REVISIONS					
E	B	P	LTR	DESCRIPTION	DATE	DWN	APVD
		A		NEW RELEASE	05-Aug-08	SM	St.P

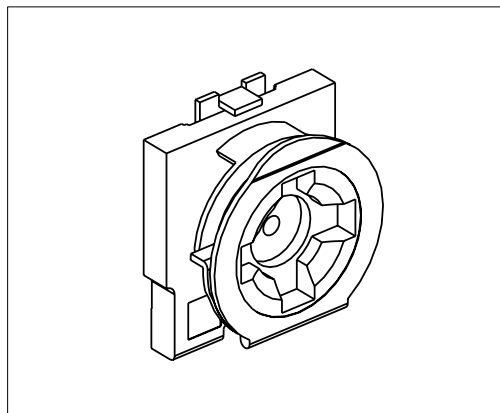


RECOMMENDED LAND PATTERN



- 1 DRIVER SLOT: Width-0.6, length-2.1, Depth-0.4
- 2 FOR FURTHER INFORMATION SEE DATA SHEET FOR 3130 SERIES-SMD ECONOMY TRIMMERS

RoHS Compliant



THIS DRAWING IS UNPUBLISHED.
 2008
 RELEASED FOR PUBLICATION
 BY TYCO ELECTRONICS CORPORATION. ALL RIGHTS RESERVED.
 COPYRIGHT 2008

DIMENSIONS: mm	DWN	05-Aug-08	MATERIAL	-	FINISH	-
	CHK	05-Aug-08	Tyco Electronics Corporation Dorcan, Swindon, SN3 5HH			
TOLERANCES UNLESS OTHERWISE SPECIFIED:	APVD	05-Aug-08				
0 PLC ±0.5	PRODUCT SPEC	-	NAME			
1 PLC ±0.2	APPLICATION SPEC	-	SMD ECONOMY TRIMMERS			
2 PLC ±0.1			SERIES 3130W			
3 PLC ±			SIZE	CAGE CODE	DRAWING NO	RESTRICTED TO
4 PLC ±-			A 4	00779	©= 1623922	-
ANGLES ±5	WEIGHT	-	CUSTOMER DRAWING			
			SCALE	10:1	SHEET 1 OF 1	REV A