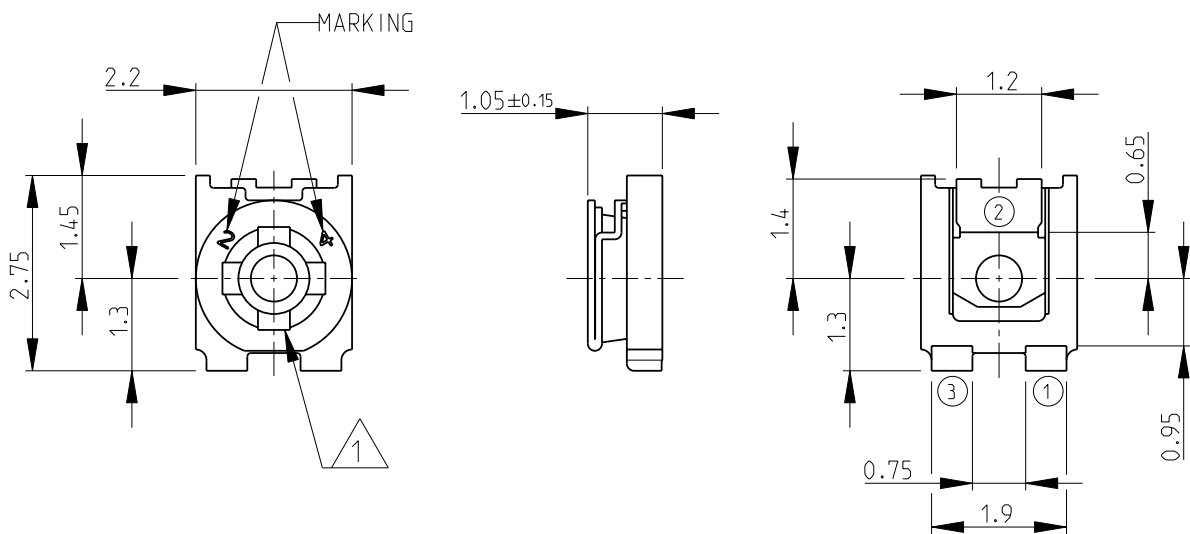
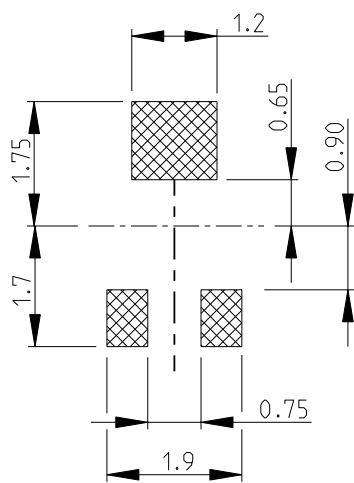


LOC	DIST	REVISIONS				
P	LTR	DESCRIPTION	DATE	DWN	APVD	
E	B	BA	NEW RELEASE	12-NOV-08	SM	St.P

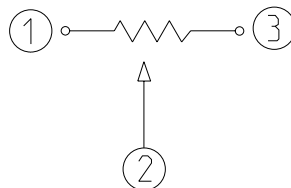


- 1 DRIVER SLOT : WIDTH- 0.45mm, LENGTH- 1.45mm, DEPTH- 0.35mm
- 2 FOR FURTHER INFORMATION SEE DATA SHEET FOR 3121 SERIES-SMD ECONOMY TRIMMERS

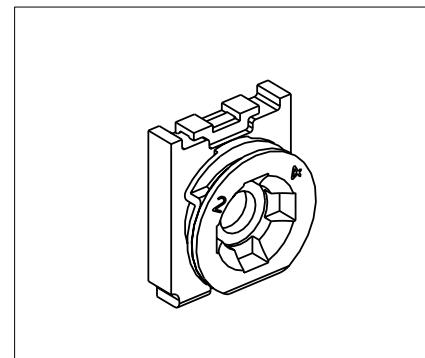
RECOMMENDED LAND PATTERN



CIRCUIT DIAGRAM



RoHS Compliant



2008
 RELEASED FOR PUBLICATION
 THIS DRAWING IS UNPUBLISHED.
 © COPYRIGHT 2008 BY TYCO ELECTRONICS CORPORATION. ALL RIGHTS RESERVED.

DIMENSIONS: mm	DWN	SUBHASH.M	12-NOV-08	MATERIAL	-	FINISH	-
	CHK	PRAKASH.S	12-NOV-08	Tyco Electronics Corporation Dorcan, Swindon, SN3 5HH			
TOLERANCES UNLESS OTHERWISE SPECIFIED:	APVD	STEPHEN.P	12-NOV-08				
0 PLC ±0.2	PRODUCT SPEC	-	NAME	SMD ECONOMY TRIMMERS SERIES 3121			
1 PLC ±0.1	APPLICATION SPEC	-	SIZE	CAGE CODE	DRAWING NO	RESTRICTED TO	
2 PLC ±-			A 4	00779	© = 1623921		
3 PLC ±-			CUSTOMER DRAWING		SCALE	10:1	SHEET 1 OF 1
4 PLC ±-							REV BA
ANGLES ±5°							