

4

3

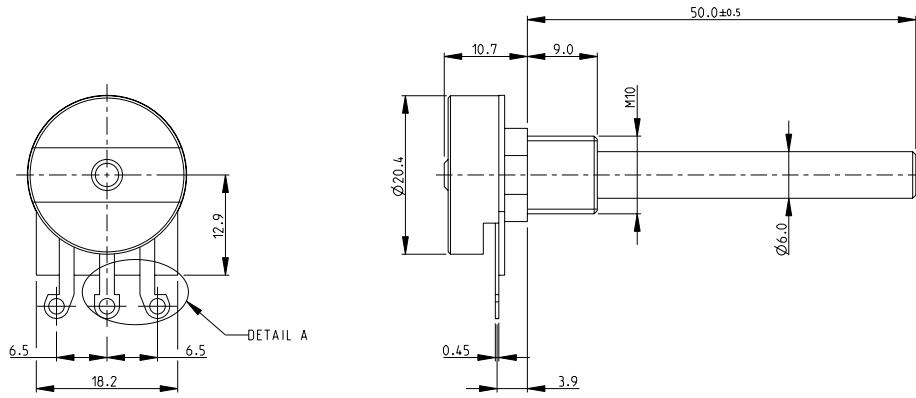
2

1

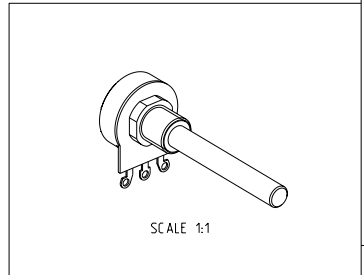
THIS DRAWING IS UNPUBLISHED. RELEASED FOR PUBLICATION 2008  
 © COPYRIGHT 2008 BY TYCO ELECTRONICS CORPORATION. ALL RIGHTS RESERVED.

LOC		DIST		REVISIONS			
P	LTR	DESCRIPTION		DATE	OWN	APVD	
	BA	NEW RELEASE		19-NOV-08	SM	ST.P	

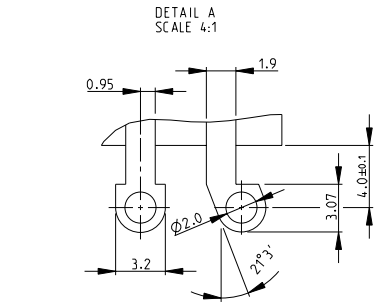
FOR FURTHER INFORMATION SEE DATA SHEET FOR  
 23 SERIES-SPINDLE OPERATED POTENTIOMETER



RoHS Compliant



SCALE 1:1



DETAIL A  
 SCALE 4:1

<small>THIS DRAWING IS A CONTROLLED DOCUMENT FOR TYCO ELECTRONICS CORPORATION          IT IS SUBJECT TO CHANGE AND THE CONTROLLING ENGINEERING ORGANIZATION          SHOULD BE CONTACTED FOR THE LATEST REVISION.</small>		DWN SUBHASH.M 19-NOV-08 CHK PRAKASH.S 19-NOV-08 APVD STEPHEN.P 19-NOV-08	Tyco Electronics Corporation Dorcan, Swindon, SN3 5HH
DIMENSIONS: mm		NAME SPINDLE OPERATED POTENTIOMETER SERIES 23E	
TOLERANCES UNLESS OTHERWISE SPECIFIED: 0 PLC ±0.2 1 PLC ±0.1 2 PLC ± 3 PLC ± 4 PLC ± ANGLES ± FINISH ±5°		PRODUCT SPEC - APPLICATION SPEC - WEIGHT -	SIZE A3 CAGE CODE 00779 DRAWING NO ©=1623756 RESTRICTED TO -
MATERIAL -		CUSTOMER DRAWING	
		SCALE 2:1	SHEET 1 of 1 REV BA

AMP 1470-19 REV 31MAR2000

Pro/ENGINEER DRAWING