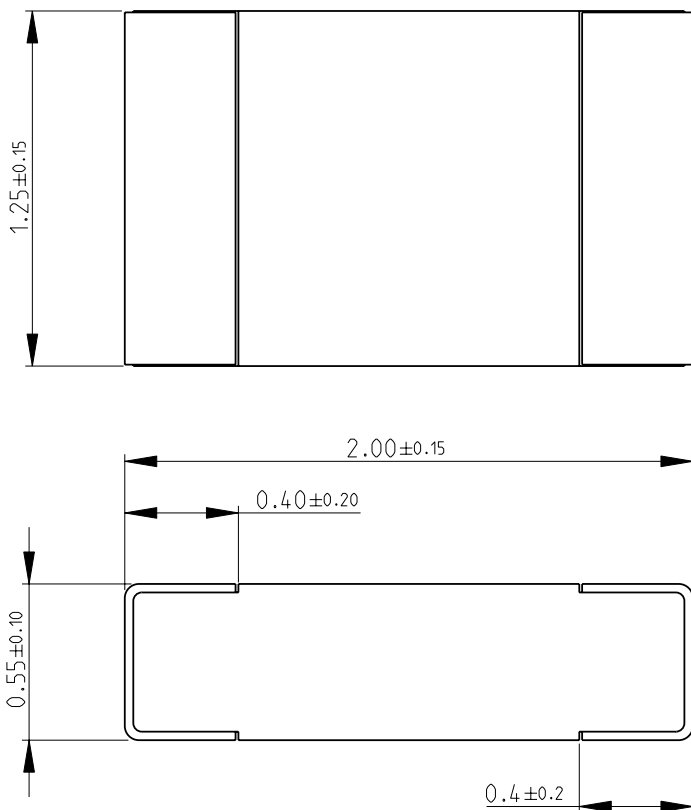
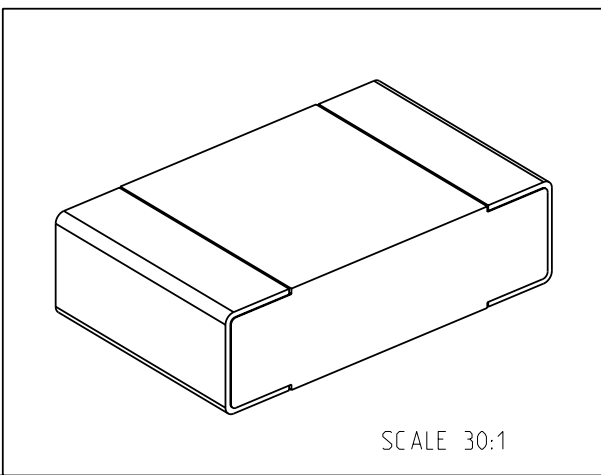


LOC	DIST	REVISIONS					
E	B	P	LTR	DESCRIPTION	DATE	DWN	APVD
			BA	NEW RELEASE	10-NOV-08	SM	St.P

FOR FURTHER INFORMATION SEE DATA SHEET FOR  
CRG SERIES-THICK FILM CHIP RESISTORS



RoHS Compliant



2008  
 RELEASED FOR PUBLICATION  
 THIS DRAWING IS UNPUBLISHED.  
 COPYRIGHT 2008 BY TYCO ELECTRONICS CORPORATION. ALL RIGHTS RESERVED.

DIMENSIONS: mm	DWN	SUBHASH.M	10-NOV-08	MATERIAL	-	FINISH	-								
	CHK	PRAKASH.S	10-NOV-08	Tyco Electronics Corporation Dorcan, Swindon, SN3 5HH											
TOLERANCES UNLESS OTHERWISE SPECIFIED:	APVD	STEPHEN.P	10-NOV-08					NAME	THICK FILM CHIP RESISTORS SERIES CRG 0805						
	0 PLC	±0.5	PRODUCT SPEC	-	SIZE	CAGE CODE	DRAWING NO	RESTRICTED TO							
	1 PLC	±0.2	APPLICATION SPEC	-	A 4	00779	© = 1623102	-							
2 PLC	±0.1	WEIGHT	-	CUSTOMER DRAWING				SCALE	40:1	SHEET	1	OF	1	REV	BA
3 PLC	±-														
4 PLC	±-														
ANGLES	±5°														