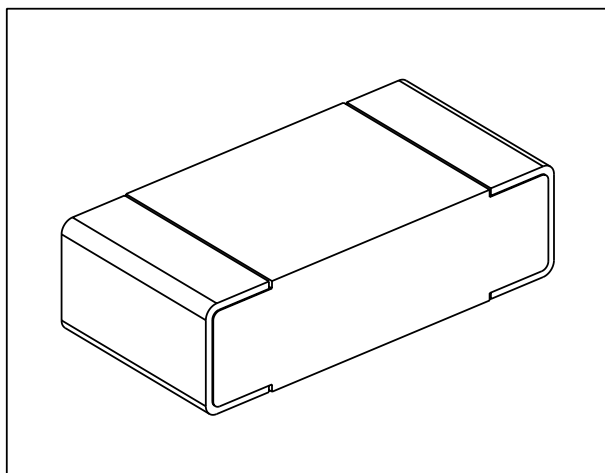
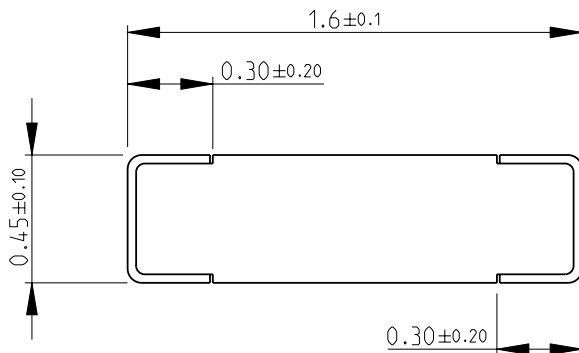


| LOC | DIST | REVISIONS   |             |           |      |      |
|-----|------|-------------|-------------|-----------|------|------|
| P   | LTR  | DESCRIPTION | DATE        | DWN       | APVD |      |
| E   | B    | BA          | NEW RELEASE | 05-NOV-08 | SM   | St.P |

FOR FURTHER INFORMATION SEE DATA SHEET FOR  
CRG SERIES-THICK FILM CHIP RESISTORS




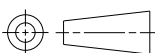
RoHS Compliant

2008

RELEASED FOR PUBLICATION

THIS DRAWING IS UNPUBLISHED.

© COPYRIGHT 2008 BY TYCO ELECTRONICS CORPORATION. ALL RIGHTS RESERVED.

|  |   |           |   |  |            |               |      |
|--|---|-----------|---|--|------------|---------------|------|
| DIMENSIONS:<br>mm                      | DWN   | SUBHASH.M | 05-NOV-08   | MATERIAL   | -          | FINISH        | -    |
|  | CHK   | PRAKASH.S | 05-NOV-08   |  Tyco Electronics Corporation<br>Dorcan, Swindon, SN3 5HH |            |               |      |
| TOLERANCES UNLESS OTHERWISE SPECIFIED: | APVD  | STEPHEN.P | 05-NOV-08   |  |            |               |      |
| 0 PLC ±0.5                             | PRODUCT SPEC  | -         | NAME THICK FILM CHIP RESISTORS<br>SERIES CRG 0603 |  |            |               |      |
| 1 PLC ±0.2                             | APPLICATION SPEC  | -         | SIZE  | CAGE CODE  | DRAWING NO | RESTRICTED TO |      |
| 2 PLC ±0.1                             | -   | -         | A 4   | 00779  | ©= 1623022 | -             |      |
| 3 PLC ±-                               | WEIGHT  | -         | CUSTOMER DRAWING                                  |  |            |               |      |
| 4 PLC ±-                               | -   | -         | SCALE   | 40:1   | SHEET      | 1             | OF 1 |
| ANGLES ±5°                             |  |           | REV BA  |  |            |               |      |