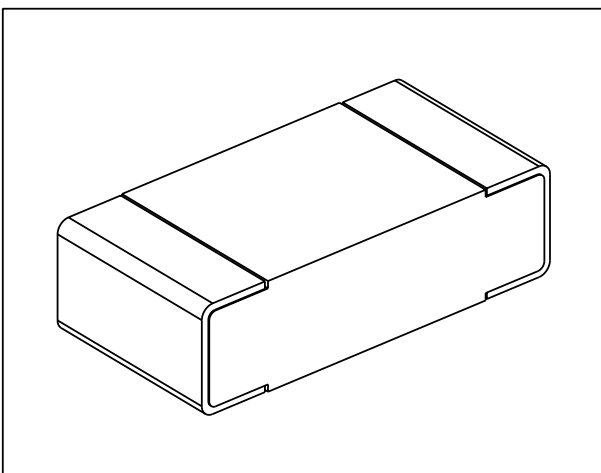
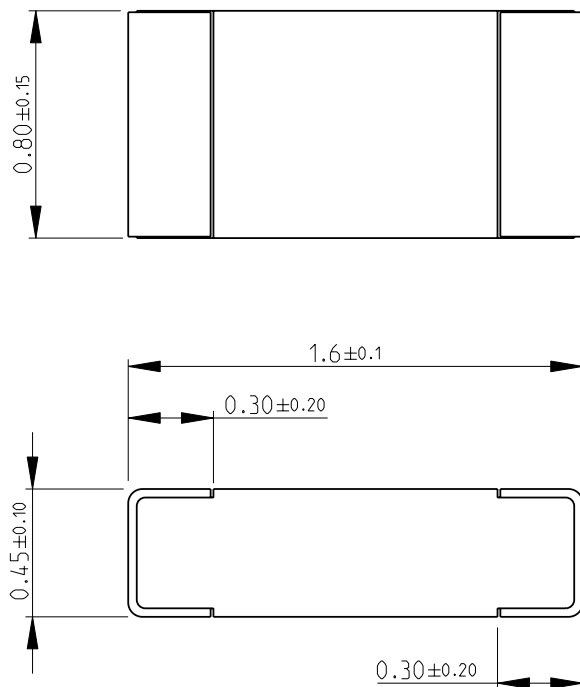


LOC	DIST	REVISIONS				
P	LTR	DESCRIPTION	DATE	DWN	APVD	
E	B	BA	NEW RELEASE	03-NOV-08	SM	St.P

FOR FURTHER INFORMATION SEE DATA SHEET FOR
CRG SERIES-THICK FILM CHIP RESISTORS



RoHS Compliant

2008

RELEASED FOR PUBLICATION

THIS DRAWING IS UNPUBLISHED.

© COPYRIGHT 2008 BY TYCO ELECTRONICS CORPORATION. ALL RIGHTS RESERVED.

DIMENSIONS: mm	DWN	SUBHASH.M	03-NOV-08	MATERIAL	-	FINISH	-
	CHK	PRAKASH.S	03-NOV-08	Tyco Electronics Corporation Dorcan, Swindon, SN3 5HH			
TOLERANCES UNLESS OTHERWISE SPECIFIED:	APVD	STEPHEN.P	03-NOV-08				
0 PLC ±0.5	PRODUCT SPEC			NAME			
1 PLC ±0.2	-			THICK FILM CHIP RESISTORS			
2 PLC ±0.1	APPLICATION SPEC			SERIES CRG 0603			
3 PLC ±-	-			SIZE	CAGE CODE	DRAWING NO	RESTRICTED TO
4 PLC ±-	WEIGHT			A 4	00779	© = 1622901	-
ANGLES ±5°	-			SCALE		SHEET	OF
	CUSTOMER DRAWING			40:1		1	1
						REV	BA