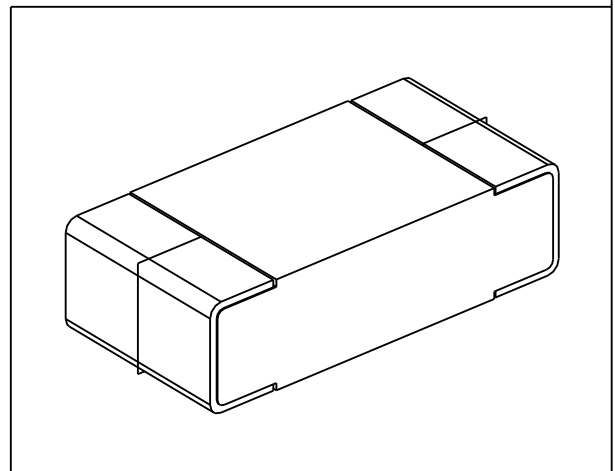
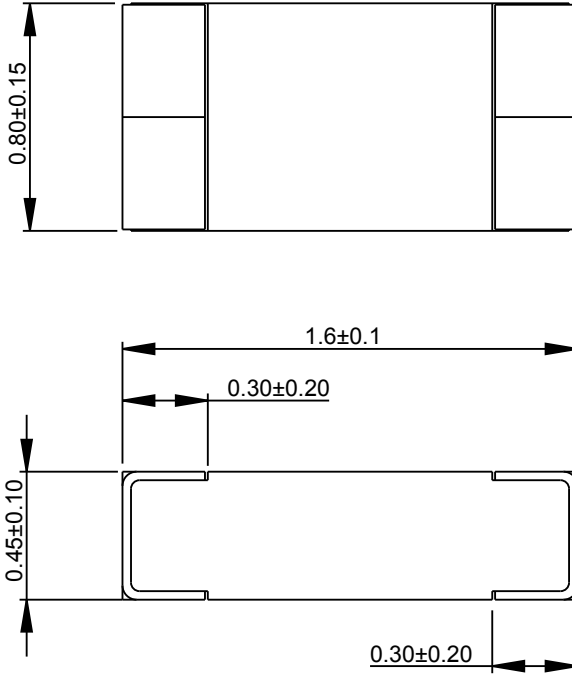


LOC	DIST	REVISIONS					
E	B	P	LTR	DESCRIPTION	DATE	DWN	APVD
			BA	NEW RELEASE			03-NOV-08

FOR FURTHER INFORMATION SEE DATA SHEET FOR  
CRG SERIES-THICK FILM CHIP RESISTORS



RoHS Compliant

2008

RELEASED FOR PUBLICATION

THIS DRAWING IS UNPUBLISHED.

ALL RIGHTS RESERVED.  
BY TYCO ELECTRONICS CORPORATION.  
COPYRIGHT 2008

DIMENSIONS: <b>mm</b>	DWN	SUBHASH.M	03-NOV-08	MATERIAL	-	FINISH	-								
	CHK	PRAKASH.S	03-NOV-08	Tyco Electronics Corporation Dorcan, Swindon, SN3 5HH											
TOLERANCES UNLESS OTHERWISE SPECIFIED:  0 PLC ± 0.5 1 PLC ± 0.2 2 PLC ± 0.1 3 PLC ± - 4 PLC ± - ANGLES ± 5°	APVD	STEPHEN.P	03-NOV-08												
	PRODUCT SPEC	-			NAME			THICK FILM CHIP RESISTORS SERIES CRG 0603							
	APPLICATION SPEC	-			SIZE	A4	CAGE CODE	00779	DRAWING NO	C = 1622837	RESTRICTED TO	-			
	WEIGHT	-			CUSTOMER DRAWING			SCALE	40:1	SHEET	1	OF	1	REV	BA

