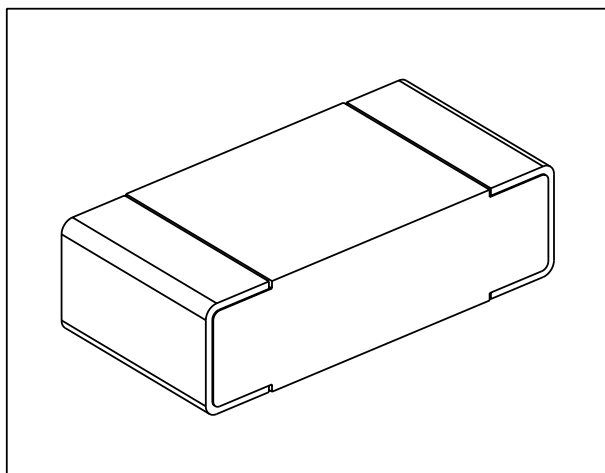
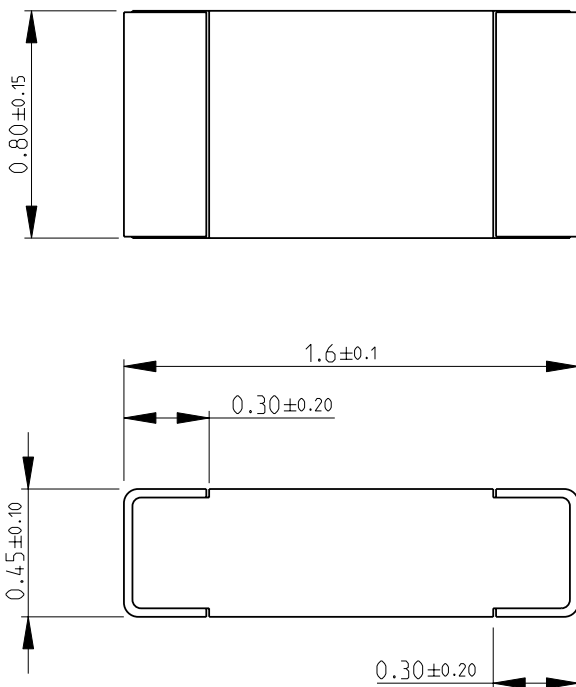


LOC	DIST	REVISIONS				
P	LTR	DESCRIPTION	DATE	DWN	APVD	
E	B	BA	NEW RELEASE	07-Oct-08	SM	St.P

FOR FURTHER INFORMATION SEE DATA SHEET FOR
CRG SERIES-THICK FILM CHIP RESISTORS



RoHS Compliant

2008

RELEASED FOR PUBLICATION

THIS DRAWING IS UNPUBLISHED.

© COPYRIGHT 2008 BY TYCO ELECTRONICS CORPORATION. ALL RIGHTS RESERVED.

DIMENSIONS: mm		DWN SUBHASH.M	07-Oct-08	MATERIAL	-	FINISH	-
TOLERANCES UNLESS OTHERWISE SPECIFIED:		CHK PRAKASH.S	07-Oct-08	Tyco Electronics Corporation Dorcan, Swindon, SN3 5HH			
		APVD STEPHEN.P	07-Oct-08				
0 PLC ±0.5		PRODUCT SPEC		NAME THICK FILM CHIP RESISTORS SERIES CRG 0603			
1 PLC ±0.2		-					
2 PLC ±0.1		APPLICATION SPEC		SIZE	CAGE CODE	DRAWING NO	RESTRICTED TO
3 PLC ±-		-		A 4	00779	©= 1622835	-
4 PLC ±-		WEIGHT		CUSTOMER DRAWING			
ANGLES ±5°		-		SCALE	40:1	SHEET	1 OF 1
		-		REV BA			