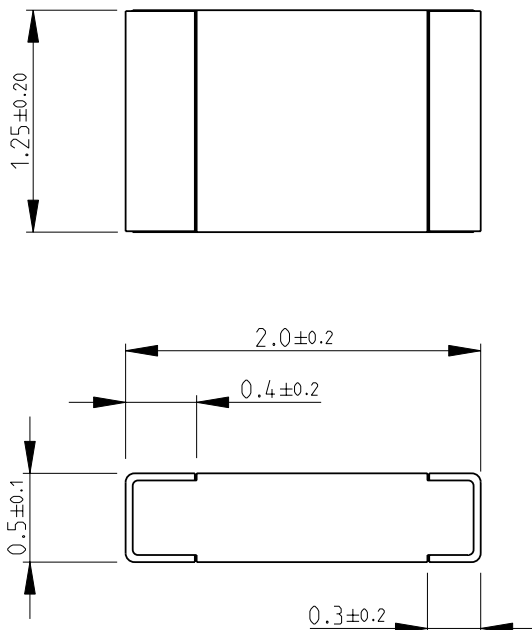
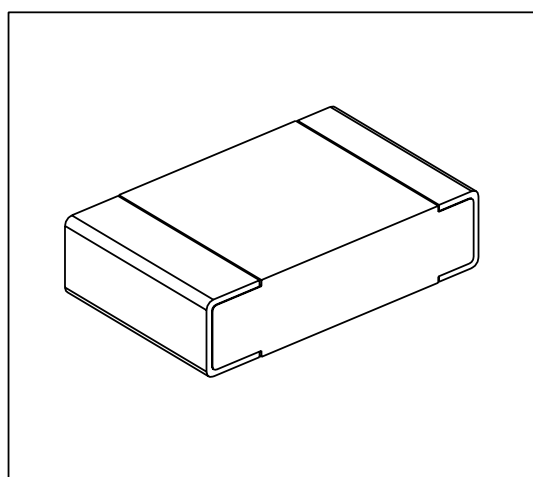


LOC	DIST	REVISIONS				
P	LTR	DESCRIPTION	DATE	DWN	APVD	
E	B	BA	NEW RELEASE	24-Sep-08	SM	St.P

FOR FURTHER INFORMATION SEE DATA SHEET FOR  
CPF SERIES-THIN FILM PRECISION CHIP RESISTORS



RoHS Compliant



2008  
 RELEASED FOR PUBLICATION  
 THIS DRAWING IS UNPUBLISHED.  
 COPYRIGHT 2008 BY TYCO ELECTRONICS CORPORATION. ALL RIGHTS RESERVED.

DIMENSIONS: mm	DWN	24-Sep-08	MATERIAL	FINISH								
	SUBHASH.M		-	-								
TOLERANCES UNLESS OTHERWISE SPECIFIED:  0 PLC $\pm 0.2$ 1 PLC $\pm 0.1$ 2 PLC $\pm$ 3 PLC $\pm$ 4 PLC $\pm$ ANGLES $\pm 5^\circ$	CHK	24-Sep-08	Tyco Electronics Corporation Dorcan, Swindon, SN3 5HH									
	PRAKASH.S											
	APVD	24-Sep-08	STEPHEN.P									
	PRODUCT SPEC	-	NAME THIN FILM PRECISION CHIP RESISTORS SERIES CPF 0805									
	APPLICATION SPEC	-	SIZE	CAGE CODE	DRAWING NO	RESTRICTED TO						
	WEIGHT	-	A 4	00779	© = 1614935	-						
			CUSTOMER DRAWING		SCALE	25:1	SHEET	1	OF	1	REV	BA