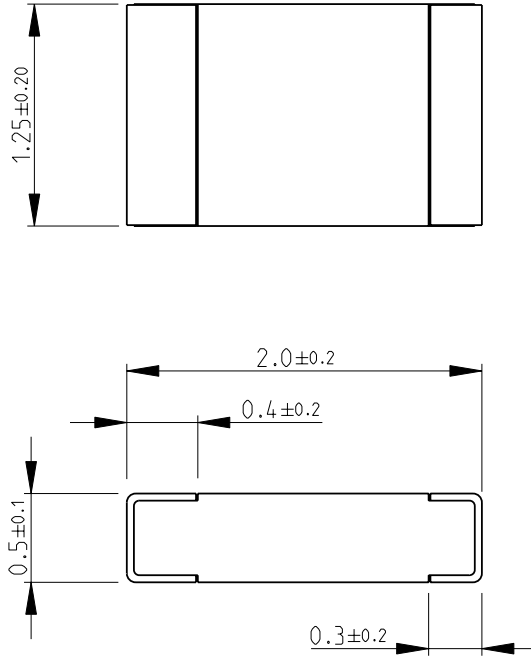
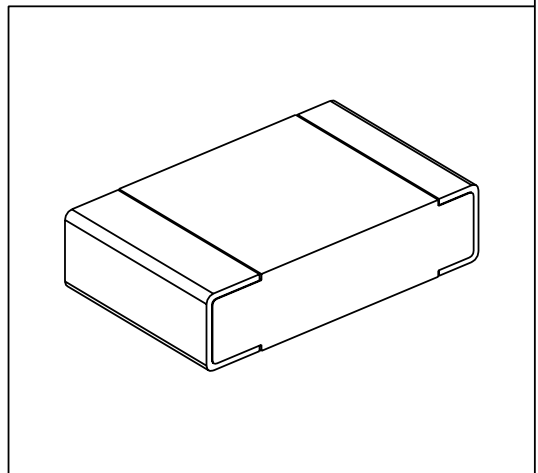


LOC	DIST	REVISIONS					
E	B	P	LTR	DESCRIPTION	DATE	DWN	APVD
			BA	NEW RELEASE	24-Sep-08	SM	St.P

FOR FURTHER INFORMATION SEE DATA SHEET FOR
CPF SERIES-THIN FILM PRECISION CHIP RESISTORS



RoHS Compliant



2008

RELEASED FOR PUBLICATION

THIS DRAWING IS UNPUBLISHED.

© COPYRIGHT 2008 BY TYCO ELECTRONICS CORPORATION. ALL RIGHTS RESERVED.

DIMENSIONS: mm	DWN	24-Sep-08	MATERIAL	FINISH			
	SUBHASH.M		-	-			
TOLERANCES UNLESS OTHERWISE SPECIFIED: 0 PLC ±0.2 1 PLC ±0.1 2 PLC ± 3 PLC ± 4 PLC ± ANGLES ±5°	CHK	24-Sep-08	Tyco Electronics Corporation Dorcan, Swindon, SN3 5HH				
	PRAKASH.S						
	APVD	24-Sep-08	NAME THIN FILM PRECISION CHIP RESISTORS SERIES CPF 0805				
	STEPHEN.P		SIZE	CAGE CODE	DRAWING NO	RESTRICTED TO	
PRODUCT SPEC	-	A 4	00779	© = 1614932	-		
APPLICATION SPEC	-	WEIGHT	CUSTOMER DRAWING		SCALE 25:1	SHEET 1 OF 1	REV BA