

4

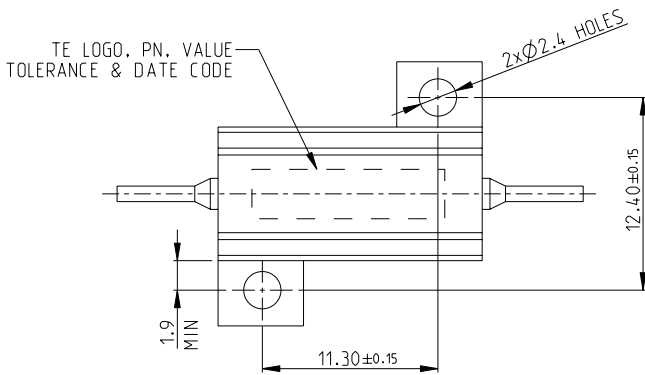
3

2

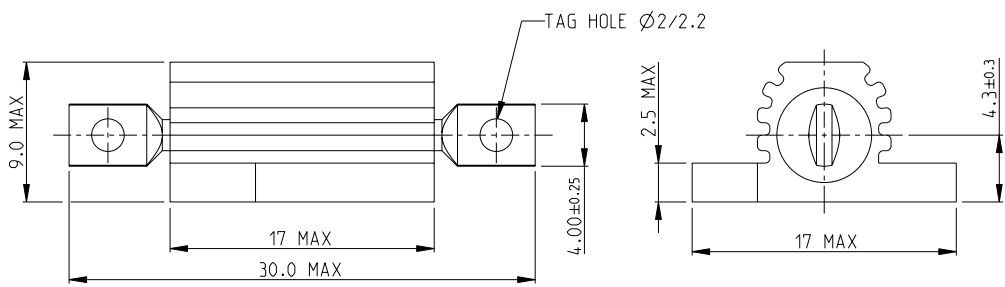
1

THIS DRAWING IS UNPUBLISHED. RELEASED FOR PUBLICATION NOV. 2005
 © COPYRIGHT 2005 BY TYCO ELECTRONICS CORPORATION. ALL RIGHTS RESERVED.

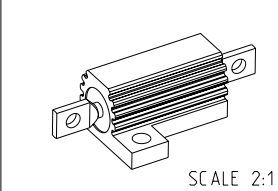
LOC		DIST		REVISIONS				
P	LTR	DESCRIPTION			DATE	DNW	APVD	
B2		Released as per ECR-09-006012			16-MAR-09	SP	JC	



- FOR FURTHER INFORMATION SEE DATA SHEET FOR HS SERIES-ALUMINIUM HOUSED RESISTORS
- FOR A SPECIFIC PN FOR A RESISTANCE VALUE AND TOLERANCE, PLEASE REFER TO DMF
- TECHNICAL SPECIFICATION**
 DISSIPATION AT 25°C : 10 WATTS MOUNTED ON STD HEATSINK
 BS OHMIC RANGE : R051 TO 7KS
 STABILITY : ΔR < =1% PER 1000Hrs
 ISOLATION VOLTAGE : 1400V DC/AC pk
 MAX WORKING VOLTAGE : 150V DC/AC rms
 TEMP COEFFICIENT : > 1R0 50ppm
 > 100R 25ppm
 CLIMATIC CATEGORY : 55/200/56



RoHS Compliant



<small>THIS DRAWING IS A CONTROLLED DOCUMENT FOR TYCO ELECTRONICS CORPORATION IT IS SUBJECT TO CHANGE AND THE CONTROLLING ENGINEERING ORGANIZATION SHOULD BE CONTACTED FOR THE LATEST REVISION.</small>		DNW 07.NOV.05 CHK D KENNEDY J CATCHPOLE 07.NOV.05 APVD J CATCHPOLE 07.NOV.05	Tyco Electronics Tyco Electronics Corporation Dorcan, Swindon, SN3 5HH	
DIMENSIONS: mm		TOLERANCES UNLESS OTHERWISE SPECIFIED: 0 PLC ±0.5 1 PLC ±0.2 2 PLC ±0.1 3 PLC ± 4 PLC ± ANGLES ±5°		NAME HSA 5 METAL CLAD RESISTOR PRODUCT SPEC - APPLICATION SPEC - WEIGHT -
MATERIAL - FINISH -		SIZE A3 CAGE CODE 00779 DRAWING NO C-1625963	RESTRICTED TO - SCALE 4:1 SHEET 1 OF 1 REV B2	
CUSTOMER DRAWING				