

4

3

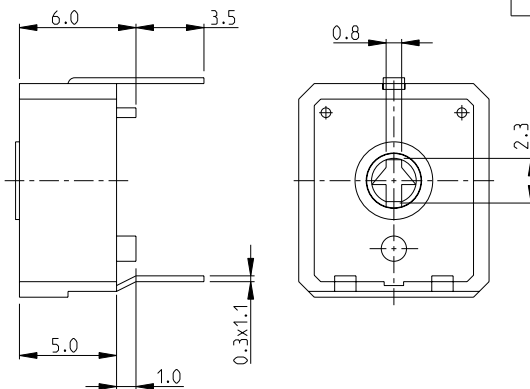
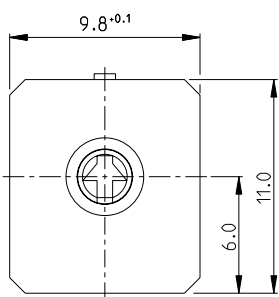
2

1

THIS DRAWING IS UNPUBLISHED. RELEASED FOR PUBLICATION 2008
© COPYRIGHT 2008 BY - ALL RIGHTS RESERVED.

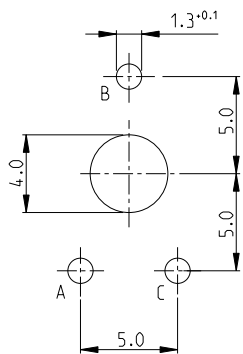
LOC		DIST		REVISIONS				
P	LTR	DESCRIPTION			DATE	DNW	APVD	
BA1		REVISED PER ECO-11-005150			28MAR2011	RK	HMR	

CB10LV AS SHOWN

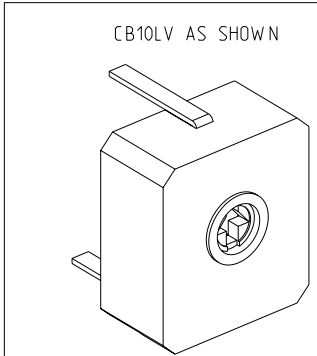


FOR FURTHER INFORMATION SEE DATA SHEET FOR CB10 SERIES-CARBON ECONOMY TRIMMERS

RECOMMENDED PCB PATTERN



RoHS Compliant



THIS DRAWING IS A CONTROLLED DOCUMENT.		OWN	17-SEP-08		TE Connectivity CARBON ECONOMY TRIMMERS SERIES CB10 LV		RESTRICTED TO		
DIMENSIONS: mm		CHK	17-SEP-08				SIZE	CAGE CODE	DRAWING NO
TOLERANCES UNLESS OTHERWISE SPECIFIED:		PRD	17-SEP-08				A3	00779	1630480
0 PLC ±0.5 1 PLC ±0.2 2 PLC ±0.1 3 PLC ± 4 PLC ± ANGLES ±5°		APVD	17-SEP-08				C=1630480		
MATERIAL		FINISH		APPLICATION SPEC		WEIGHT		SCALE	
								5:1	
				CUSTOMER DRAWING				SHEET 1 OF 1	
								REV BA1	