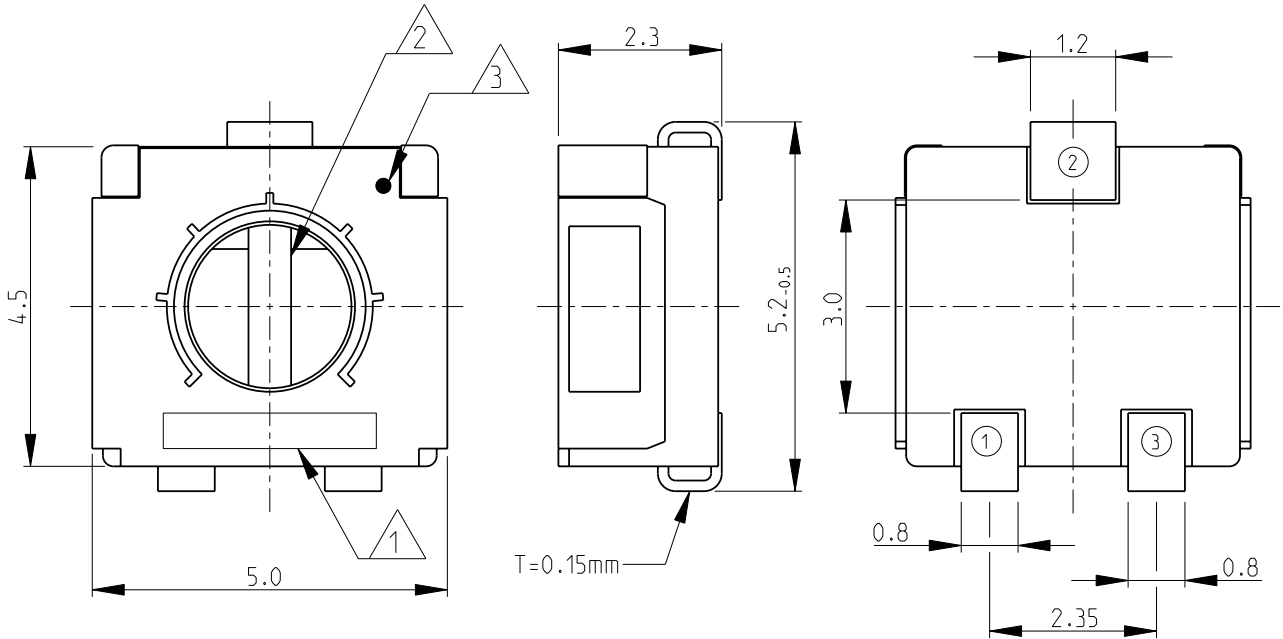
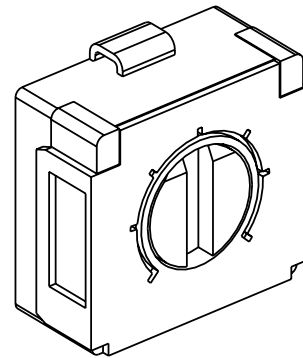


LOC	DIST	REVISIONS				
P	LTR	DESCRIPTION	DATE	DWN	APVD	
E	B	BA	NEW RELEASE	13-NOV-08	SM	St.P



RoHS Compliant

- 1 RESISTANCE / DATE CODE
- 2 ADJUSTMENT SLOT:
WIDTH- 0.6mm, LENGTH- 2.3mm, DEPTH- 0.5mm
- 3 LEAD-FREE IDENTIFICATION MARK
- 4 FOR FURTHER INFORMATION SEE DATA SHEET FOR
3315 SERIES-SMD PROFESSIONAL TRIMMERS



SCALE 8:1

2008

RELEASED FOR PUBLICATION

THIS DRAWING IS UNPUBLISHED.

© COPYRIGHT 2008 BY TYCO ELECTRONICS CORPORATION. ALL RIGHTS RESERVED.

DIMENSIONS: mm	DWN	SUBHASH.M	13-NOV-08	MATERIAL	-	FINISH	-
	CHK	PRAKASH.S	13-NOV-08	Tyco Electronics Corporation Dorcan, Swindon, SN3 5HH			
TOLERANCES UNLESS OTHERWISE SPECIFIED:	APVD	STEPHEN.P	13-NOV-08				
	0 PLC	±0.2	PRODUCT SPEC	-	NAME		
1 PLC	±0.1	APPLICATION SPEC	-	SIZE	CAGE CODE	DRAWING NO	RESTRICTED TO
2 PLC	±-			A 4	00779	©= 1623905	-
3 PLC	±-			CUSTOMER DRAWING			
4 PLC	±-			SCALE	10:1	SHEET	1 OF 1
ANGLES	±5°			REV BA			
		WEIGHT	0.12g				