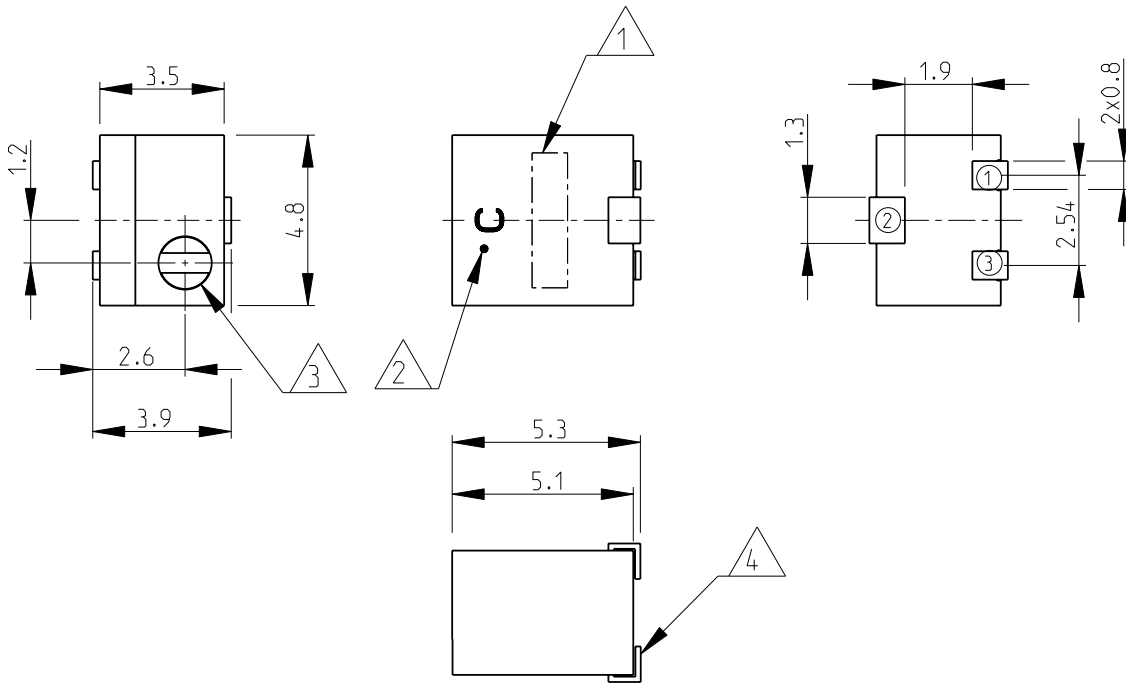


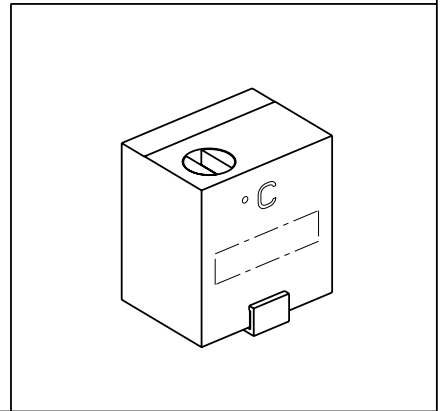
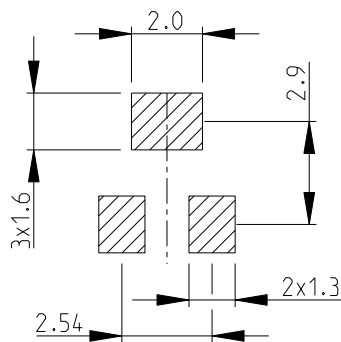
LOC	DIST	REVISIONS					
E	B	P	LTR	DESCRIPTION	DATE	DWN	APVD
			BA	NEW RELEASE	01-DEC-08	SM	St.P



- 1 RESISTANCE/DATE CODE
- 2 LEAD-FREE IDENTIFICATION MARK
- 3 TOP ADJUSTMENT SLOT:
Ø1.5; WIDTH- 0.56; DEPTH- 0.5
- 4 THICKNESS- 0.15mm

5 FOR FURTHER INFORMATION SEE DATA SHEET FOR 3240 SERIES-SMD PROFESSIONAL TRIMMERS

RoHS Compliant



2008

RELEASED FOR PUBLICATION

THIS DRAWING IS UNPUBLISHED.

BY TYCO ELECTRONICS CORPORATION. ALL RIGHTS RESERVED.

© COPYRIGHT 2008

DIMENSIONS: mm	DWN	DWN	MATERIAL	FINISH			
	SUBHASH.M	01-DEC-08	-	-			
TOLERANCES UNLESS OTHERWISE SPECIFIED: 0 PLC ±0.2 1 PLC ±0.1 2 PLC ± 3 PLC ± 4 PLC ± ANGLES ±5°	CHK	01-DEC-08	Tyco Electronics Corporation Dorcan, Swindon, SN3 5HH				
	PRAKASH.S	01-DEC-08					
	APVD	01-DEC-08	NAME SMD PROFESSIONAL TRIMMERS SERIES 3240W				
	STEPHEN.P	01-DEC-08					
PRODUCT SPEC	-	SIZE	CAGE CODE	DRAWING NO	RESTRICTED TO		
APPLICATION SPEC	-	A 4	00779	©= 1623924	-		
WEIGHT	0.2g Approx.	CUSTOMER DRAWING		SCALE	SHEET	OF	REV
				5:1	1	1	BA