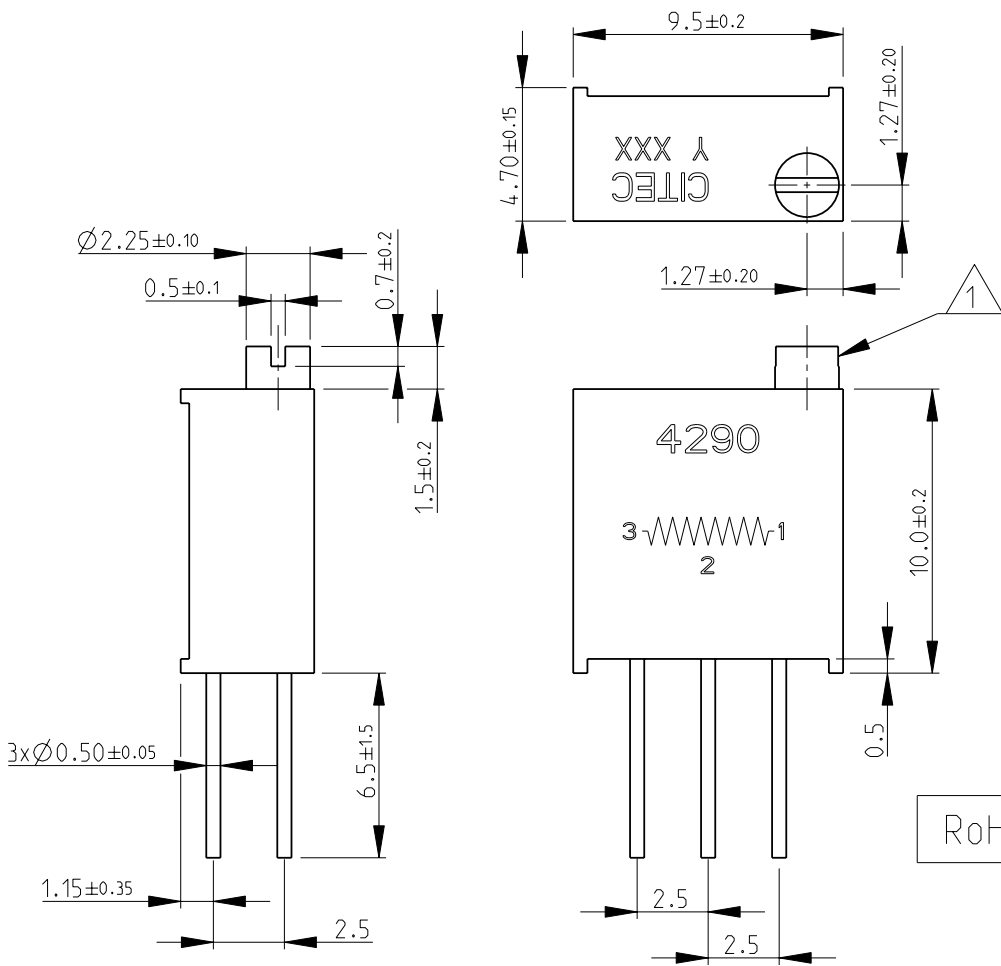


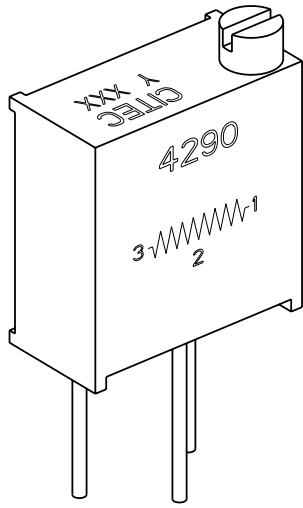
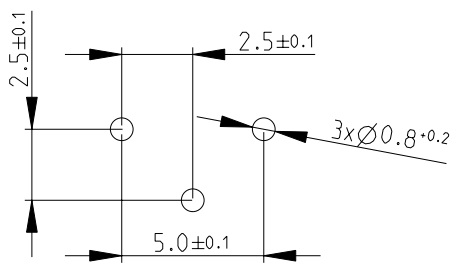
LOC	DIST	REVISIONS				
P	LTR	DESCRIPTION	DATE	DWN	APVD	
E	B	BA	NEW RELEASE	09-Sep-08	SM	St.P



RoHS Compliant

- 1 TOP ADJUSTMENT SCREW
2 FOR FURTHER INFORMATION SEE DATA SHEET FOR 4290 SERIES-PROFESSIONAL TRIMMERS

PCB PIERCING PLAN



2008
 RELEASED FOR PUBLICATION
 THIS DRAWING IS UNPUBLISHED.
 COPYRIGHT 2008 BY TYCO ELECTRONICS CORPORATION. ALL RIGHTS RESERVED.

DIMENSIONS: mm	DWN	SUBHASH.M	09-Sep-08	MATERIAL	-	FINISH	-
	CHK	PRAKASH.S	09-Sep-08	Tyco Electronics Corporation Dorcan, Swindon, SN3 5HH			
TOLERANCES UNLESS OTHERWISE SPECIFIED:	APVD	STEPHEN.P	09-Sep-08				
	0 PLC	±0.5	PRODUCT SPEC		PROFESSIONAL TRIMMERS		
1 PLC	±0.2	APPLICATION SPEC		SERIES 4290Y			
2 PLC	±0.1	-		SIZE	CAGE CODE	DRAWING NO	RESTRICTED TO
3 PLC	±	-		A 4	00779	©=1623851	-
4 PLC	±	-		CUSTOMER DRAWING			
ANGLES	±5°	WEIGHT		SCALE	4:1	SHEET	1 OF 1
		-		REV		BA	