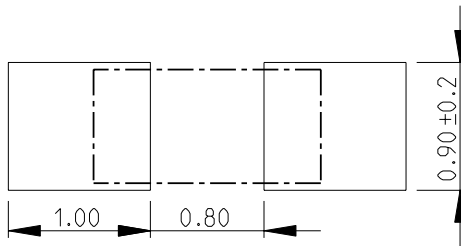
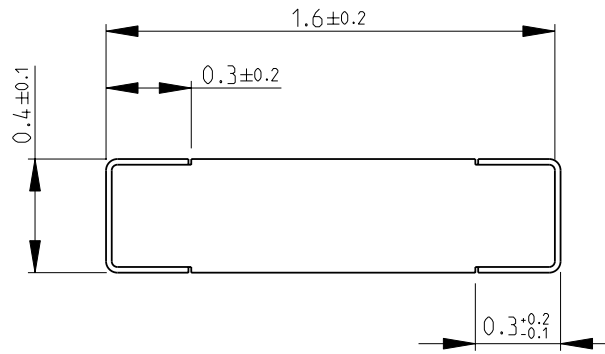
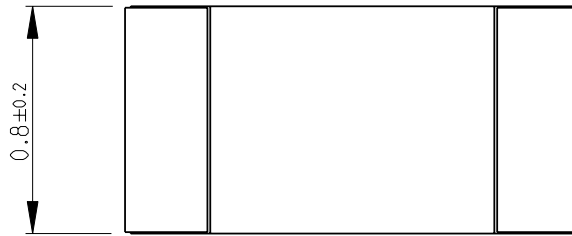


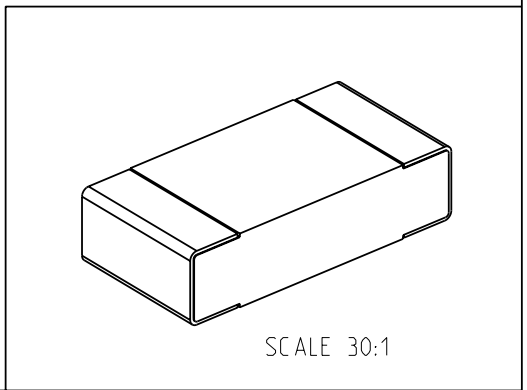
LOC	DIST	REVISIONS				
P	LTR	DESCRIPTION	DATE	DWN	APVD	
E	B	BA	NEW RELEASE	05-FEB-10	MRS	St.P

FOR FURTHER INFORMATION SEE DATA SHEET FOR
RN73 SERIES-HIGH PRECISION RESISTORS (SMD)



RECOMMENDED LAND PATTERN

RoHS Compliant



SCALE 30:1

THIS DRAWING IS UNPUBLISHED.
 RELEASED FOR PUBLICATION 2010
 BY TYCO ELECTRONICS CORPORATION. ALL RIGHTS RESERVED.
 COPYRIGHT 2010

DIMENSIONS: mm	DWN	MAHARUDRA	05-FEB-10	MATERIAL	-	FINISH	-
	CHK	ALLAN.P	05-FEB-10	Tyco Electronics Corporation Dorcan, Swindon, SN3 5HH			
TOLERANCES UNLESS OTHERWISE SPECIFIED: 0 PLC ±0.2 1 PLC ±0.1 2 PLC ±- 3 PLC ±- 4 PLC ±- ANGLES ±5°	APVD	STEPHEN.P	05-FEB-10				
	PRODUCT SPEC	-		NAME			
	APPLICATION SPEC	-		HIGH PRECISION RESISTORS (SMD) SERIES RN73 1J			
	WEIGHT	-		SIZE	A 4	CAGE CODE	00779
				DRAWING NO	C= 1614353		RESTRICTED TO
							-
				CUSTOMER DRAWING	SCALE	40:1	SHEET 1 OF 1
							REV BA