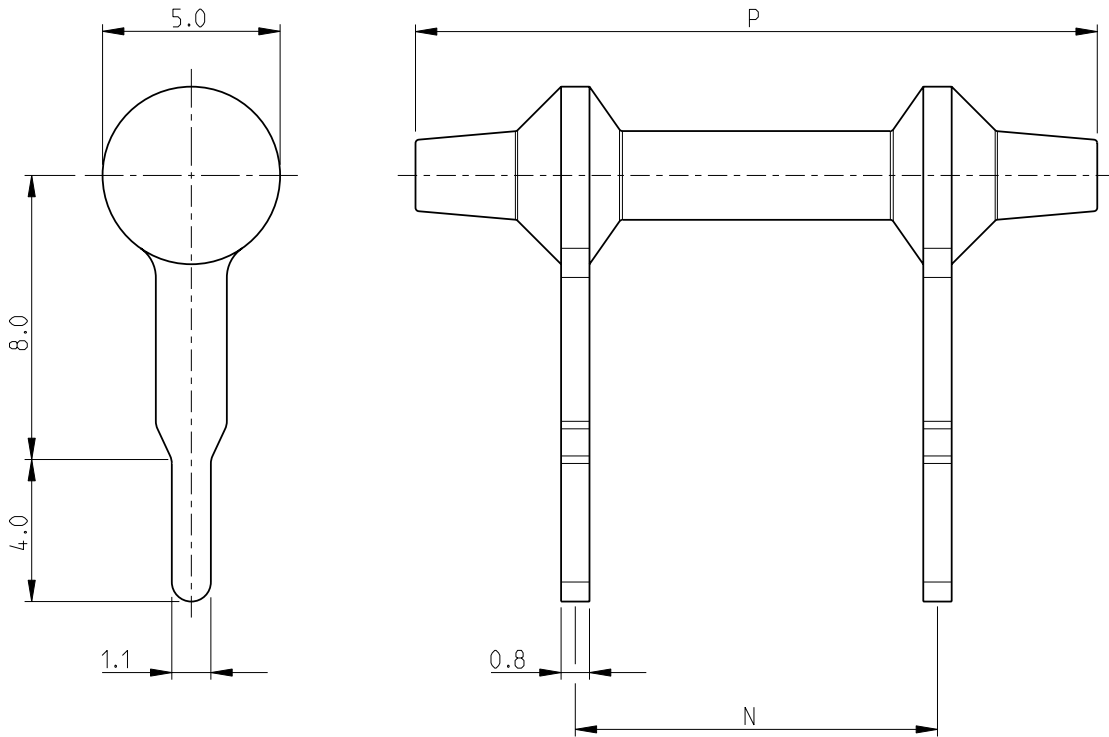
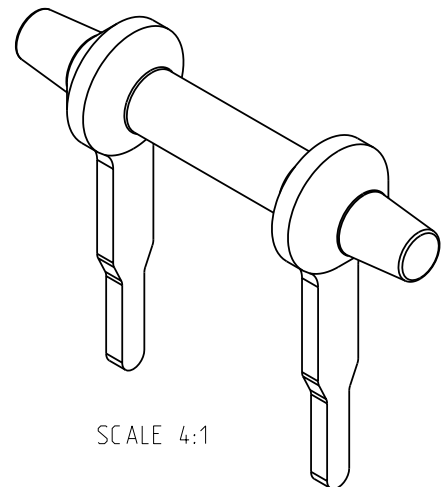


LOC	DIST	REVISIONS				
P	LTR	DESCRIPTION	DATE	DWN	APVD	
E	B	BA	NEW RELEASE	29-JUL-09	SM	St.P

FOR FURTHER INFORMATION SEE DATA SHEET FOR  
SERIES FC- HIGH POWER RESISTORS



FC 10	45.7	54.7	2.1
FC 4	15.2	24.2	1.3
FC 2	10.2	19.2	1.2
STYLE	N±0.2	P(Max.)	NOMINAL WEIGHT(g)




SCALE 4:1

2008

RELEASED FOR PUBLICATION

THIS DRAWING IS UNPUBLISHED.

© COPYRIGHT 2008 BY TYCO ELECTRONICS CORPORATION. ALL RIGHTS RESERVED.

DIMENSIONS: mm	DWN	SUBHASH.M	29-JUL-09	MATERIAL	-	FINISH	-
	CHK	ALLAN.P	29-JUL-09	 Tyco Electronics Corporation Dorcan, Swindon, SN3 5HH			
TOLERANCES UNLESS OTHERWISE SPECIFIED:	APVD	STEPHEN.P	29-JUL-09				
0 PLC ±0.2	PRODUCT SPEC	-	NAME	HIGH POWER RESISTORS SERIES FC (LOW PROFILE STANDOFF)			
1 PLC ±0.1	APPLICATION SPEC	-	SIZE	CAGE CODE	DRAWING NO	RESTRICTED TO	
2 PLC ±-	WEIGHT	-	A 4	00779	©=1623709	-	
3 PLC ±-			CUSTOMER DRAWING				
4 PLC ±-			SCALE	5:1	SHEET	1 OF 1	REV
ANGLES ±5°							BA