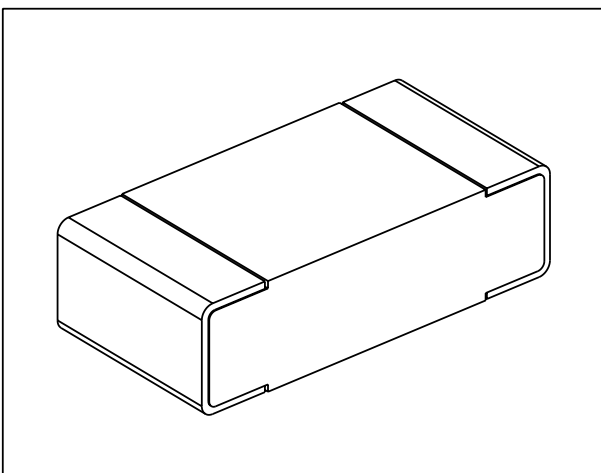
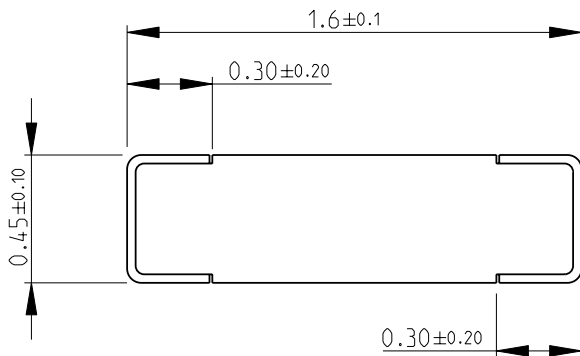


| LOC | DIST | REVISIONS | | | | |
|-----|------|-------------|-------------|-----------|------|------|
| P | LTR | DESCRIPTION | DATE | DWN | APVD | |
| E | B | BA | NEW RELEASE | 04-NOV-08 | SM | St.P |

FOR FURTHER INFORMATION SEE DATA SHEET FOR
CRG SERIES-THICK FILM CHIP RESISTORS



RoHS Compliant

2008

RELEASED FOR PUBLICATION

THIS DRAWING IS UNPUBLISHED.

© COPYRIGHT 2008 BY TYCO ELECTRONICS CORPORATION. ALL RIGHTS RESERVED.

| | | | | | |
|--|---|--|-----------------|-----------------------|-----------------|
| DIMENSIONS: mm TOLERANCES UNLESS OTHERWISE SPECIFIED: 0 PLC ±0.5 1 PLC ±0.2 2 PLC ±0.1 3 PLC ± 4 PLC ± ANGLES ±5° | DWN SUBHASH.M 04-NOV-08 | MATERIAL - | FINISH - | | |
| | CHK PRAKASH.S 04-NOV-08 | Tyco Electronics Corporation Dorcan, Swindon, SN3 5HH | | | |
| APVD STEPHEN.P 04-NOV-08 | NAME THICK FILM CHIP RESISTORS SERIES CRG 0603 | | | | |
| PRODUCT SPEC - | APPLICATION SPEC - | SIZE A 4 | CAGE CODE 00779 | DRAWING NO C= 1622935 | RESTRICTED TO - |
| WEIGHT - | CUSTOMER DRAWING | | SCALE 40:1 | SHEET 1 OF 1 | REV BA |