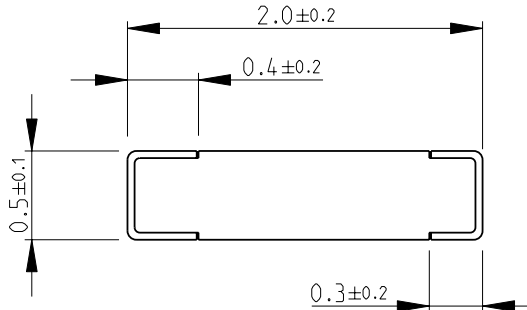
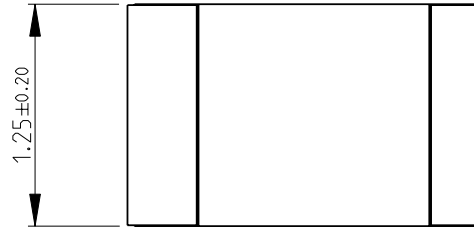
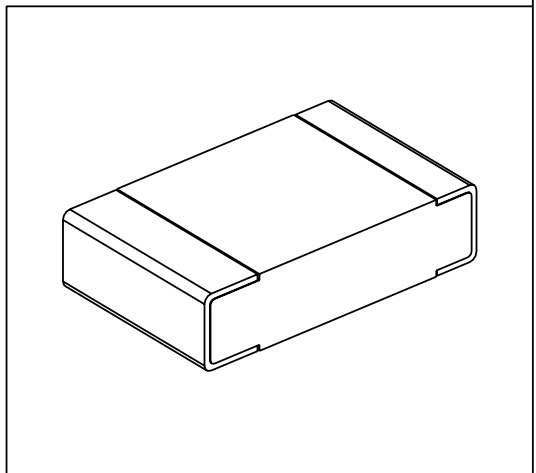


LOC	DIST	REVISIONS				
P	LTR	DESCRIPTION	DATE	DWN	APVD	
E	B	BA	NEW RELEASE	24-Sep-08	SM	St.P

FOR FURTHER INFORMATION SEE DATA SHEET FOR
CPF SERIES-THIN FILM PRECISION CHIP RESISTORS



RoHS Compliant


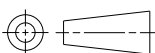


2008

RELEASED FOR PUBLICATION

THIS DRAWING IS UNPUBLISHED.

© COPYRIGHT 2008 BY TYCO ELECTRONICS CORPORATION. ALL RIGHTS RESERVED.

DIMENSIONS: mm	DWN	24-Sep-08	MATERIAL	FINISH	
	SUBHASH.M		-	-	
TOLERANCES UNLESS OTHERWISE SPECIFIED: 0 PLC ±0.2 1 PLC ±0.1 2 PLC ±- 3 PLC ±- 4 PLC ±- ANGLES ±5°	CHK	24-Sep-08	 Tyco Electronics Corporation Dorcan, Swindon, SN3 5HH		
	PRAKASH.S				
	APVD	24-Sep-08	NAME THIN FILM PRECISION CHIP RESISTORS SERIES CPF 0805		
	STEPHEN.P				
PRODUCT SPEC	-	SIZE	CAGE CODE	DRAWING NO	RESTRICTED TO
APPLICATION SPEC	-	A 4	00779	© = 1614937	-
WEIGHT	-	CUSTOMER DRAWING		SCALE	SHEET
			25:1	1	OF 1
				REV	BA