

4

3

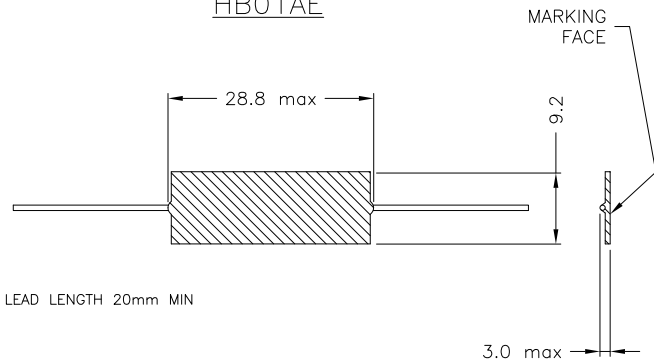
2

1

THIS DRAWING IS UNPUBLISHED. RELEASED FOR PUBLICATION
 © COPYRIGHT - By - ALL RIGHTS RESERVED.

| LOC | DIST | REVISIONS | | | |
|-----|------|---------------------------|---------|-----|------|
| P | LTR | DESCRIPTION | DATE | DWN | APVD |
| B1 | | REVISED PER ECO-11-005150 | 21MAR11 | RK | HMR |

HB01AE

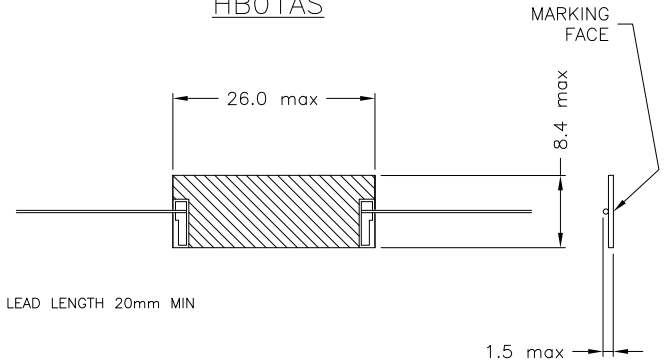


LEAD LENGTH 20mm MIN

DESCRIPTION: HIGH VOLTAGE THICK FILM RESISTOR.
 LEAD MATERIAL: TINNED COPPER WIRE
 LEAD CROSS-SECTION: 0.6 +/-0.5 DIA
 HYBRID PROTECTION: CONFORMAL EPOXY COATING
 MARKING: AS SHOWN BELOW ON MARKING FACE

HB01A
 VAL. TOL. TCR
 DATE CODE

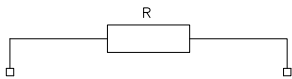
HB01AS



LEAD LENGTH 20mm MIN

DESCRIPTION: HIGH VOLTAGE THICK FILM RESISTOR.
 LEAD MATERIAL: TINNED COPPER WIRE
 LEAD CROSS-SECTION: 0.6 +/-0.5 DIA
 HYBRID PROTECTION: SCREEN PRINTED SILICONE COATING
 MARKING: AS SHOWN BELOW ON MARKING FACE

HB01A
 VAL. TOL. TCR
 DATE CODE



TYPICAL SCHEMATIC

FOR A SPECIFIC PN FOR A RESISTANCE VALUE
 AND TOLERANCE, PLEASE REFER TO DMF.

RoHS Compliant

| | | | | |
|--|--|-------------------------------|---------------|-----------|
| THIS DRAWING IS A CONTROLLED DOCUMENT. | | DWN 31OCT2005 DAVE KENNEDY | | |
| DIMENSIONS: | | CHK 01NOV05 J CATCHPOLE | | |
| MM | TOLERANCES UNLESS OTHERWISE SPECIFIED: | APVD 01NOV05 J CATCHPOLE | NAME | HB01 |
| 0 PLC | ± - | PRODUCT SPEC | | - |
| 1 PLC | ± - | APPLICATION SPEC | | - |
| 2 PLC | ± - | WEIGHT | SIZE | CAGE CODE |
| 3 PLC | ± - | | A3 | 00779 |
| 4 PLC | ± - | | DRAWING NO | 1625958 |
| ANGLES | ± - | | RESTRICTED TO | - |
| MATERIAL | FINISH | CUSTOMER DRAWING | | SCALE |
| | | | | NTS |
| | | | SHEET | 1 of 2 |
| | | | REV | B1 |

4

3

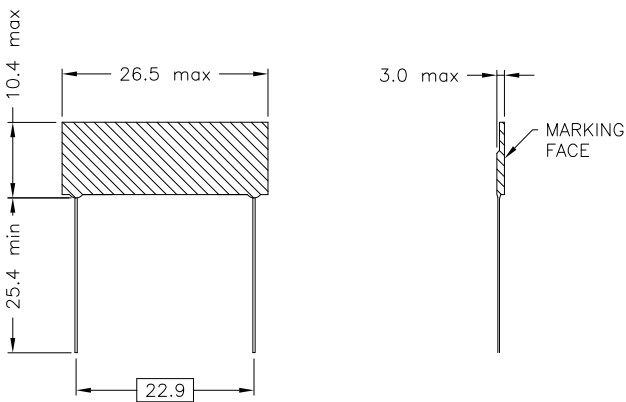
2

1

THIS DRAWING IS UNPUBLISHED. RELEASED FOR PUBLICATION
 © COPYRIGHT - By - ALL RIGHTS RESERVED.

| LOC | DIST | REVISIONS | | | |
|-----|------|-------------|------|-----|------|
| P | LTR | DESCRIPTION | DATE | DWN | APVD |
| - | - | SEE SHEET 1 | - | - | - |

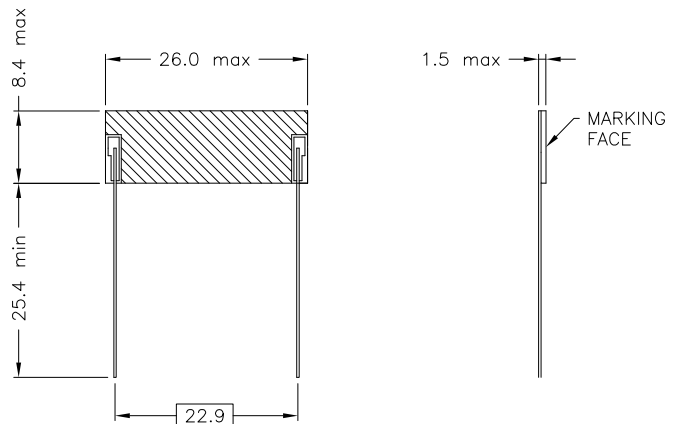
HB01RE



DESCRIPTION: HIGH VOLTAGE THICK FILM RESISTOR.
 LEAD MATERIAL: TINNED COPPER WIRE
 LEAD CROSS-SECTION: 0.6 +/-0.5 DIA
 HYBRID PROTECTION: CONFORMAL EPOXY COATING
 MARKING: AS SHOWN BELOW ON MARKING FACE

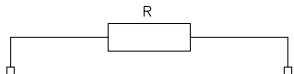
HB01R
 VAL. TOL. TCR
 DATE CODE

HB01RS



DESCRIPTION: HIGH VOLTAGE THICK FILM RESISTOR.
 LEAD MATERIAL: TINNED COPPER WIRE
 LEAD CROSS-SECTION: 0.6 +/-0.5 DIA
 HYBRID PROTECTION: SCREEN PRINTED SILICONE COATING
 MARKING: AS SHOWN BELOW ON MARKING FACE

HB01R
 VAL. TOL. TCR
 DATE CODE



TYPICAL SCHEMATIC

FOR A SPECIFIC PN FOR A RESISTANCE VALUE AND TOLERANCE, PLEASE REFER TO DMF.

RoHS Compliant

| | | | | |
|--|------------|-----------------------------------|-----------------|-----------------|
| THIS DRAWING IS A CONTROLLED DOCUMENT. | | DWN 31OCT2005 CHK DAVE KENNEDY | | |
| DIMENSIONS: MM | | J CATCHPOLE 01NOV05 | | |
| TOLERANCES UNLESS OTHERWISE SPECIFIED: | | APVD J CATCHPOLE 01NOV05 | NAME HB01 | |
| 0 PLC ± - | 1 PLC ± - | PRODUCT SPEC | - | |
| 2 PLC ± - | 3 PLC ± - | APPLICATION SPEC | - | |
| 4 PLC ± - | ANGLES ± - | WEIGHT | SIZE A3 | CAGE CODE 00779 |
| MATERIAL - | FINISH - | DRAWING NO C-1625958 | RESTRICTED TO - | |
| CUSTOMER DRAWING | | | SCALE NTS | SHEET 2 of 2 |
| | | | REV B1 | |