

4

3

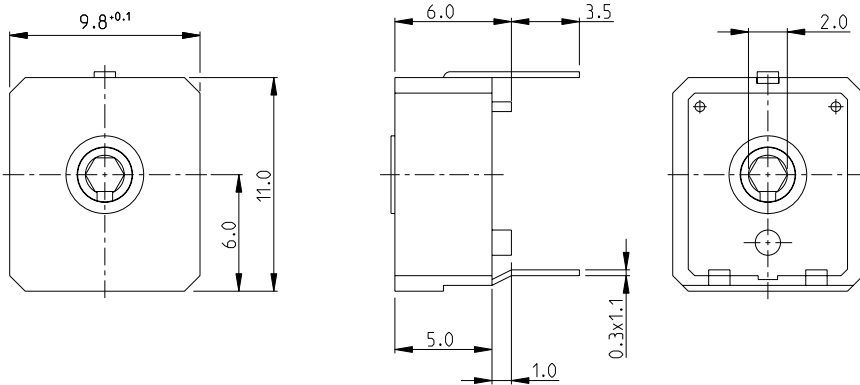
2

1

THIS DRAWING IS UNPUBLISHED. RELEASED FOR PUBLICATION 2008  
© COPYRIGHT 2008 BY - ALL RIGHTS RESERVED.

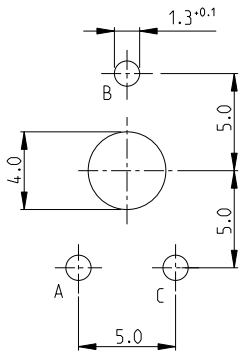
LOC		DIST		REVISIONS				
P	LTR	DESCRIPTION		DATE	DNW	APVD		
BA1		REVISED PER ECO-11-005150		29MAR2011	RK	HMR		

CB10MV AS SHOWN

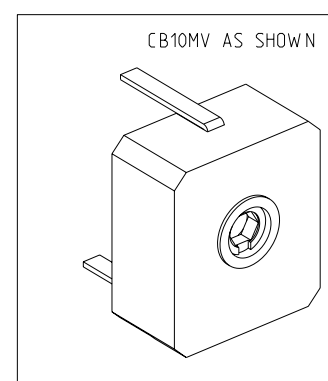


FOR FURTHER INFORMATION SEE DATA SHEET FOR CB10 SERIES-CARBON ECONOMY TRIMMERS

RECOMMENDED PCB PATTERN



RoHS Compliant



THIS DRAWING IS A CONTROLLED DOCUMENT.		OWN	SUBHASH.M		17-SEP-08
DIMENSIONS:		CHK	PRAKASH.S		17-SEP-08
mm		APVD	STEPHEN.P		17-SEP-08
TOLERANCES UNLESS OTHERWISE SPECIFIED:		NAME			
0 PLC ± 0.5		PRODUCT SPEC			
1 PLC ± 0.2		APPLICATION SPEC			
2 PLC ± 0.1		SIZE			
3 PLC ± -		CAGE CODE			
4 PLC ± -		DRAWING NO			
ANGLES ± -		RESTRICTED TO			
FINISH ± 5°		WEIGHT			
MATERIAL -		A 3			
		00779			
		C= 1630481			
		CUSTOMER DRAWING			
		SCALE 5:1			
		SHEET 1 OF 1			
		REV BA1			

**STE** TE Connectivity

CARBON ECONOMY TRIMMERS  
SERIES CB10 MV