

4

3

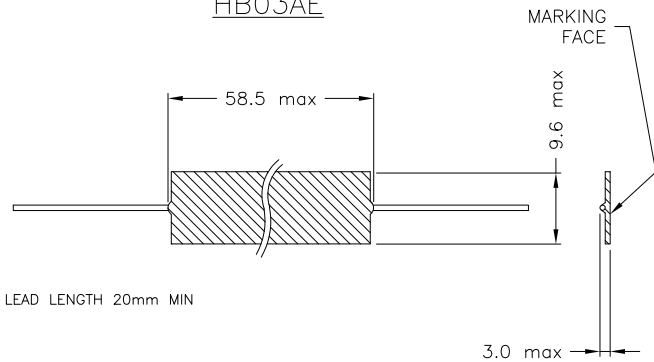
2

1

THIS DRAWING IS UNPUBLISHED. RELEASED FOR PUBLICATION
 © COPYRIGHT - By - ALL RIGHTS RESERVED.

LOC	DIST	REVISIONS			
P	LTR	DESCRIPTION	DATE	DWN	APVD
B1		REVISED PER ECO-11-005150	21MAR11	RK	HMR

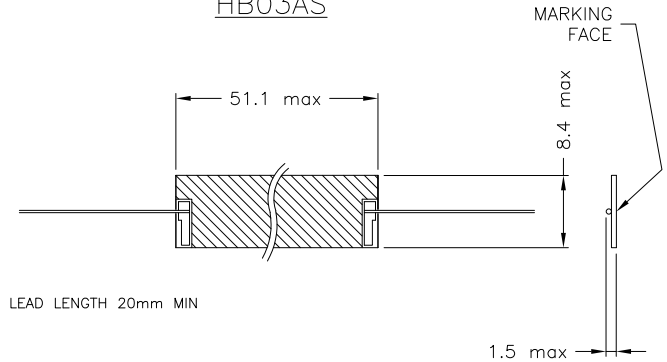
HB03AE



DESCRIPTION: HIGH VOLTAGE THICK FILM RESISTOR.
 LEAD MATERIAL: TINNED COPPER WIRE
 LEAD CROSS-SECTION: 0.63 MM DIA NOM
 HYBRID PROTECTION: CONFORMAL EPOXY COATING AS SHOWN BELOW ON MARKING FACE

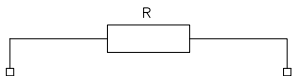
HB03A
 VAL. TOL. TCR
 DATE CODE

HB03AS



DESCRIPTION: HIGH VOLTAGE THICK FILM RESISTOR.
 LEAD MATERIAL: TINNED COPPER WIRE
 LEAD CROSS-SECTION: 0.63 MM DIA NOM
 HYBRID PROTECTION: SCREEN PRINTED SILICONE COATING AS SHOWN BELOW ON MARKING FACE

HB03A
 VAL. TOL. TCR
 DATE CODE



TYPICAL SCHEMATIC

FOR A SPECIFIC PN FOR A RESISTANCE VALUE AND TOLERANCE, PLEASE REFER TO DMF.

RoHS Compliant

THIS DRAWING IS A CONTROLLED DOCUMENT.		DWN 31OCT2005 DAVE KENNEDY			
DIMENSIONS: MM		CHK 01NOV05 J CATCHPOLE			
TOLERANCES UNLESS OTHERWISE SPECIFIED: 0 PLC ± - 1 PLC ± - 2 PLC ± - 3 PLC ± - 4 PLC ± - ANGLES ± -		APVD 01NOV05 J CATCHPOLE	NAME HB03		
MATERIAL		FINISH	PRODUCT SPEC	RESTRICTED TO	
			APPLICATION SPEC	SIZE CAGE CODE DRAWING NO	
			WEIGHT	A3 00779 C-1625959	
CUSTOMER DRAWING			SCALE NTS	SHEET 1 of 2	REV B1

4

3

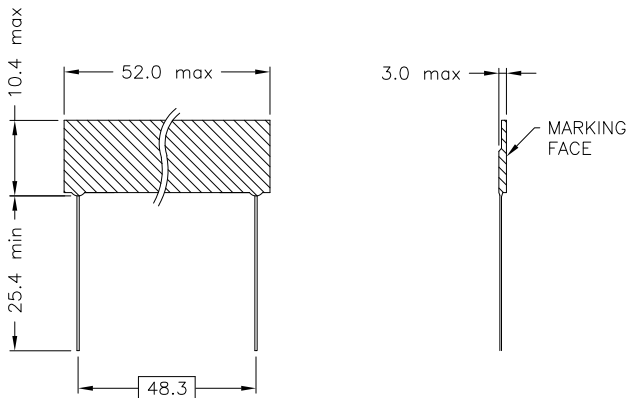
2

1

THIS DRAWING IS UNPUBLISHED. RELEASED FOR PUBLICATION
 © COPYRIGHT - By - ALL RIGHTS RESERVED.

LOC	DIST	REVISIONS			
P	LTR	DESCRIPTION	DATE	DWN	APVD
B1		REVISED PER ECO-11-005150	21MAR11	RK	HMR

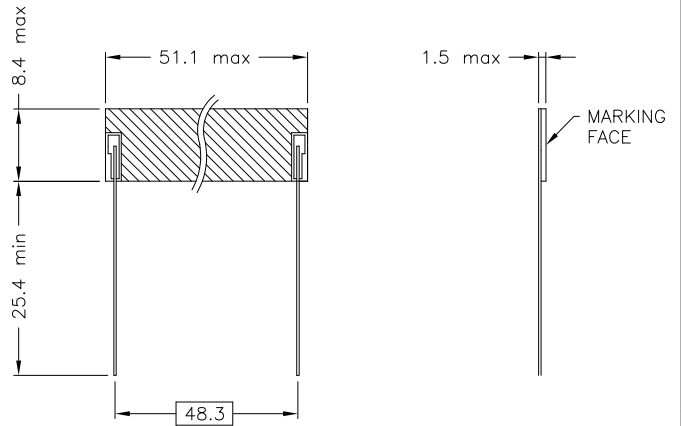
HB03RE



DESCRIPTION: HIGH VOLTAGE THICK FILM RESISTOR.
 LEAD MATERIAL: TINNED COPPER WIRE
 LEAD CROSS-SECTION: 0.63 MM DIA NOM
 HYBRID PROTECTION: CONFORMAL EPOXY COATING AS SHOWN BELOW ON MARKING FACE

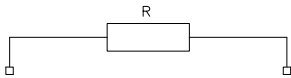
HB01R
 VAL. TOL. TCR
 DATE CODE

HB03RS



DESCRIPTION: HIGH VOLTAGE THICK FILM RESISTOR.
 LEAD MATERIAL: TINNED COPPER WIRE
 LEAD CROSS-SECTION: 0.63 MM DIA NOM
 HYBRID PROTECTION: SCREEN PRINTED SILICONE COATING AS SHOWN BELOW ON MARKING FACE

HB01R
 VAL. TOL. TCR
 DATE CODE



TYPICAL SCHEMATIC

FOR A SPECIFIC PN FOR A RESISTANCE VALUE AND TOLERANCE, PLEASE REFER TO DMF.

RoHS Compliant

THIS DRAWING IS A CONTROLLED DOCUMENT.		DWN 31OCT2005 DAVE KENNEDY			
DIMENSIONS: MM		CHK 01NOV05 J CATCHPOLE			
TOLERANCES UNLESS OTHERWISE SPECIFIED: 0 PLC ± - 1 PLC ± - 2 PLC ± - 3 PLC ± - 4 PLC ± - ANGLES ± -		APVD 01NOV05 J CATCHPOLE	NAME HB03		
MATERIAL		FINISH	PRODUCT SPEC	RESTRICTED TO	
-		-	APPLICATION SPEC	SIZE A3	CAGE CODE 00779
			WEIGHT	DRAWING NO C-1625959	
CUSTOMER DRAWING			SCALE NTS	SHEET 2 of 2	REV B1