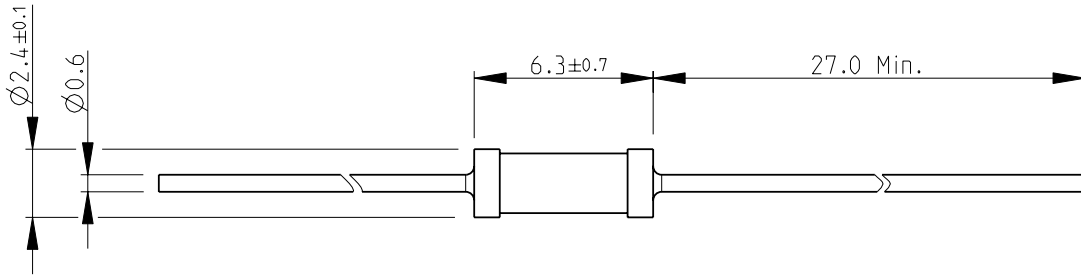
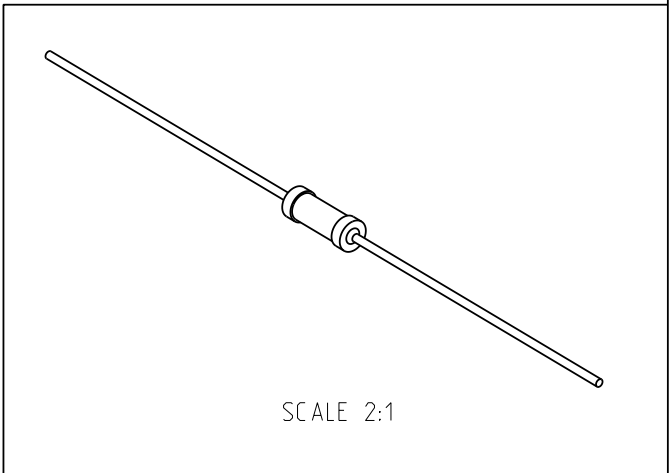


LOC	DIST	REVISIONS				
P	LTR	DESCRIPTION	DATE	DWN	APVD	
E	B	A1	REVISED PER ECO-11-005150	28MAR2011	RK	HMR

FOR FURTHER INFORMATION SEE DATA SHEET FOR
CBT SERIES-CARBON COMPOSITION RESISTORS



RoHS Compliant



SCALE 2:1

2008

RELEASED FOR PUBLICATION

ALL RIGHTS RESERVED.

THIS DRAWING IS UNPUBLISHED.

BY -

© COPYRIGHT 2008

DIMENSIONS: mm		DWN SUBHASH.M 16-Sep-08	MATERIAL -	FINISH -		
TOLERANCES UNLESS OTHERWISE SPECIFIED:		CHK PRAKASH.S 16-Sep-08				
0 PLC ±0.2 1 PLC ±0.1 2 PLC ± 3 PLC ± 4 PLC ± ANGLES ±5°		APVD STEPHEN.P 16-Sep-08				
		PRODUCT SPEC -	NAME CARBON COMPOSITION RESISTORS SERIES CBT25			
APPLICATION SPEC -		WEIGHT -	SIZE A 4	CAGE CODE 00779	DRAWING NO C=1625875	RESTRICTED TO -
CUSTOMER DRAWING			SCALE 4:1	SHEET 1	OF 1	REV A1