

4

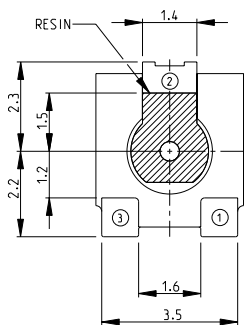
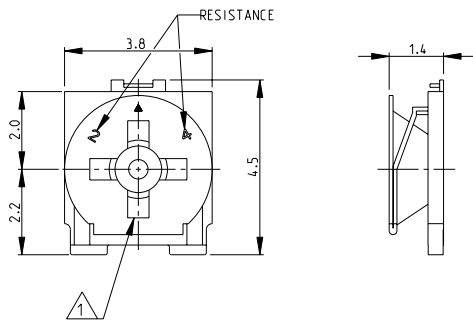
3

2

1

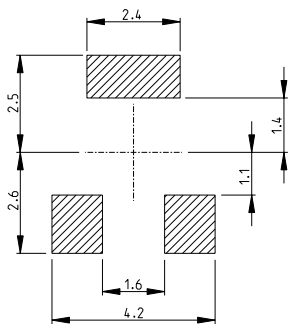
THIS DRAWING IS UNPUBLISHED. RELEASED FOR PUBLICATION 2008
 © COPYRIGHT 2008 BY - ALL RIGHTS RESERVED.

LOC	DIST	REVISIONS			
P	LTR	DESCRIPTION	DATE	DWN	APVD
BB1		REVISED PER ECO-11-005150	29MAR2011	RK	HMR

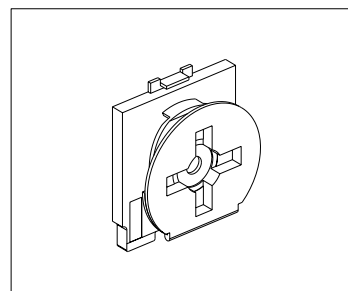


1 DRIVER SLOT: WIDTH- 0.55mm. LENGTH- 2.5mm. DEPTH- 0.35mm
 2 FOR FURTHER INFORMATION SEE DATA SHEET FOR 3150 SERIES-SMD ECONOMY TRIMMERS

RECOMMENDED LAND PATTERN



RoHS Compliant



THIS DRAWING IS A CONTROLLED DOCUMENT.

DIMENSIONS:	TOLERANCES UNLESS OTHERWISE SPECIFIED:
mm	0 PLC ± 0.2
	1 PLC ± 0.1
	2 PLC ± -
	3 PLC ± -
	4 PLC ± -
	ANGLES ± 5°
MATERIAL	FINISH

OWN	12-NOV-08
CHK	12-NOV-08
APVD	12-NOV-08
NAME	
PRODUCT SPEC	
APPLICATION SPEC	
WEIGHT	0.2g

STE TE Connectivity	
SMD ECONOMY TRIMMERS SERIES 3150	
SIZE	CAGE CODE
A3	00779
DRAWING NO	RESTRICTED TO
1623913	-
CUSTOMER DRAWING	SCALE 10:1
SHEET 1 OF 1	REV BB1

1470-19 (3/11)

Pro/ENGINEER DRAWING