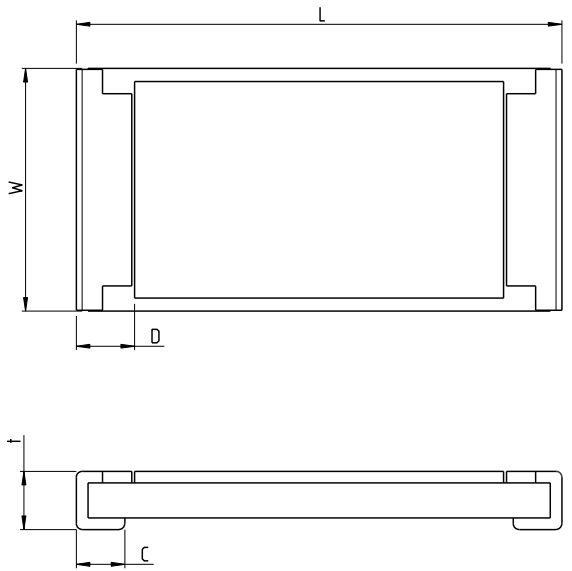


THIS DRAWING IS UNPUBLISHED. RELEASED FOR PUBLICATION 2011  
 © COPYRIGHT 2011 ALL RIGHTS RESERVED.

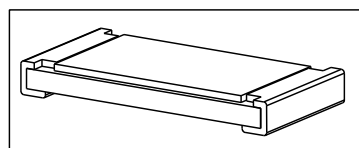
| LOC | DIST | REVISIONS   |           |     |      |
|-----|------|-------------|-----------|-----|------|
| P   | LTR  | DESCRIPTION | DATE      | DWN | APVD |
| AI  | -    | NEW DRAWING | 08MAR2012 | DMS | ST.P |



| TYPE      | L         | W         | C         | D         | t         |
|-----------|-----------|-----------|-----------|-----------|-----------|
| 1H (0201) | 0.58±0.05 | 0.29±0.05 | 0.15±0.05 | 0.12±0.05 | 0.23±0.05 |
| 1E (0402) | 1.00±0.05 | 0.50±0.05 | 0.20±0.10 | 0.25±0.10 | 0.32±0.10 |
| 1J (0603) | 1.60±0.10 | 0.80±0.10 | 0.30±0.20 | 0.30±0.20 | 0.45±0.10 |
| 2A (0805) | 2.00±0.15 | 1.25±0.15 | 0.40±0.25 | 0.30±0.20 | 0.55±0.10 |
| 2B (1206) | 3.10±0.10 | 1.55±0.15 | 0.40±0.25 | 0.50±0.30 | 0.55±0.10 |
| 2E (1210) | 3.10±0.10 | 2.50±0.15 | 0.50±0.25 | 0.50±0.30 | 0.55±0.10 |
| 2H (2010) | 5.00±0.20 | 2.50±0.15 | 0.50±0.25 | 0.60±0.30 | 0.60±0.15 |
| 3A (2512) | 6.35±0.20 | 3.10±0.15 | 0.55±0.25 | 0.60±0.30 | 0.60±0.10 |

FOR FURTHER INFORMATION SEE DATA SHEET FOR CURRENT SENSING CHIP RESISTOR - RL73 SERIES

RoHS Compliant



|  |           |                             |  |                      |
|--|-----------|-----------------------------|--|----------------------|
| THIS DRAWING IS A CONTROLLED DOCUMENT. |           | DWN 08MAR2012<br>DARSHAN MS | TE Connectivity                                  |                      |
| DIMENSIONS: mm                         |           | CHK 08MAR2012<br>ALLAN P    | SMD LOW OHMIC CURRENT SENSE RESISTOR RL73 SERIES |                      |
| TOLERANCES UNLESS OTHERWISE SPECIFIED: |           | APVD 08MAR2012<br>STEPHEN P | -  |                      |
| 0 PLC ±                                | 1 PLC ±   | PRODUCT SPEC                | -  |                      |
| 2 PLC ±                                | 3 PLC ±   | APPLICATION SPEC            | -  |                      |
| 4 PLC ±                                | ANGLES 5° | WEIGHT                      | -  |                      |
| MATERIAL -                             | FINISH -  | SIZE A3                     | CAGE CODE 00779                                  | DRAWING NO C-1622824 |
| CUSTOMER DRAWING                       |           |                             | SCALE 1:1  | SHEET 1 OF 1 REV BA  |