

4

3

2

1

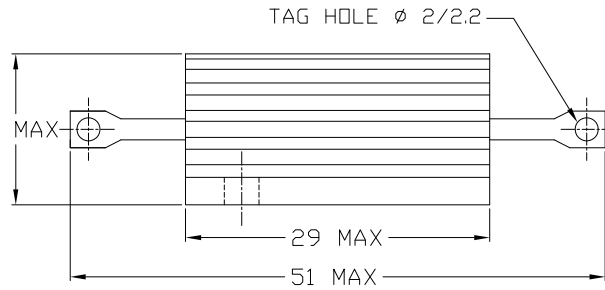
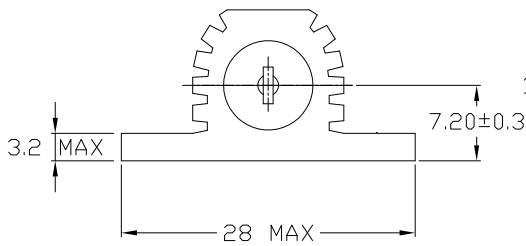
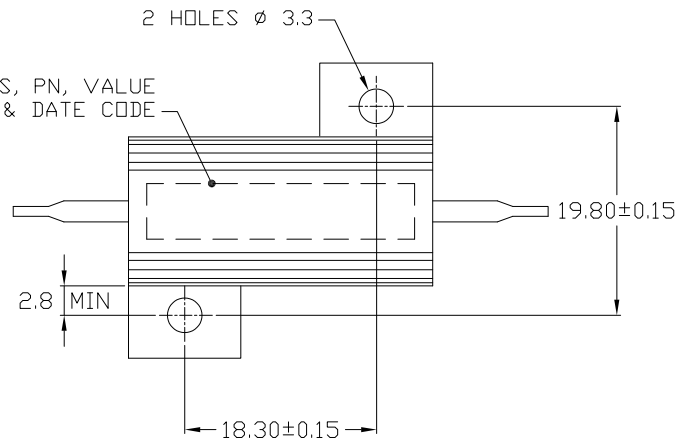
THIS DRAWING IS UNPUBLISHED. RELEASED FOR PUBLICATION SEPT. 2006.  
 © COPYRIGHT 2006 By - ALL RIGHTS RESERVED.

LOC	DIST	REVISIONS			
P	LTR	DESCRIPTION	DATE	DWN	APVD
A1		REVISED PER ECO-11-005150	21MAR11	RK	HMR

**TECHNICAL SPECIFICATION**

DISSIPATION AT 25° C 25 WATTS MOUNTED ON STD HEATSINK  
 BS OHMIC RANGE R01 TO 20K  
 STABILITY ΔR <=1% per 1000hrs  
 ISOLATION VOLTAGE 2500V DC/AC pk  
 MAX WORKING VOLTAGE 550V DC/AC rms  
 TEMP COEFFICIENT <100R ±50ppm/°C  
 >100R ±30ppm/°C  
 CLIMATIC CATAGORY 55/200/56

TYCO, CGS, PN, VALUE  
 TOLERANCE & DATE CODE



FOR A SPECIFIC PN FOR A RESISTANCE VALUE AND TOLERANCE, PLEASE REFER TO DMF.

**RoHS Compliant**

THIS DRAWING IS A CONTROLLED DOCUMENT.		DWN R BLANCH 19SEPT06	<b>STE</b> TE Connectivity	
DIMENSIONS: mm		CHK J CATCHPOLE 19SEPT06		
TOLERANCES UNLESS OTHERWISE SPECIFIED:		APVD J CATCHPOLE 19SEPT06	NAME THS25 METAL CLAD RESISTOR	
0 PLC ± 0.5		PRODUCT SPEC	-	
1 PLC ± 0.2		APPLICATION SPEC	-	
2 PLC ± 0.1		WEIGHT	-	
3 PLC ± -		SIZE A3	CAGE CODE 00779	DRAWING NO C-1879075
4 PLC ± -		CUSTOMER DRAWING		RESTRICTED TO -
ANGLES ± 5°		SCALE NTS		SHEET 1 OF 1
MATERIAL FINISH		REV A1		