

4

3

2

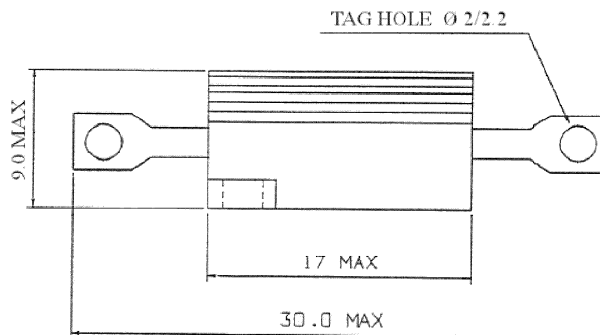
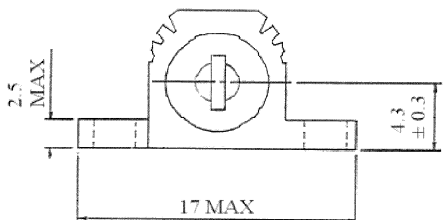
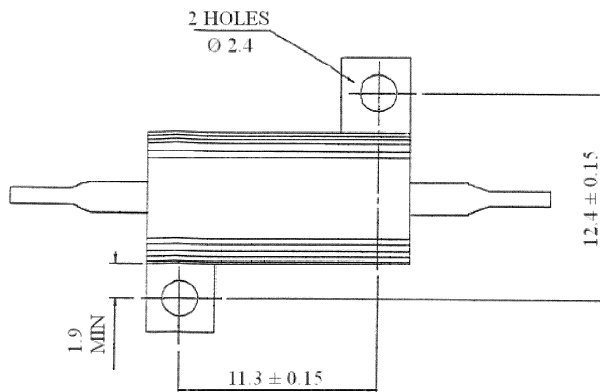
1

THIS DRAWING IS UNPUBLISHED. RELEASED FOR PUBLICATION
 © COPYRIGHT - By - ALL RIGHTS RESERVED.

LOC	DIST	REVISIONS			
P	LTR	DESCRIPTION	DATE	DWN	APVD
	BA1	REVISED PER ECO-11-005150	21MAR11	RK	HMR

Technical Specification

Dissipation at 25°C 10 Watts Mounted on std heatsink
 BS Ohmic Range R01 to 10K
 Stability $\Delta R \leq 1\%$ per 1000hrs
 Isolation Voltage 1400V DC/AC pk
 Max Working Voltage 160 V DC/AC rms
 Temp Coefficient $< 100R \pm 50 \text{ ppm}/^\circ\text{C}$
 $> 100R \pm 30 \text{ ppm}/^\circ\text{C}$
 Climatic Category 55/200/56



RoHS Compliant

FOR A SPECIFIC PN FOR A RESISTANCE VALUE AND TOLERANCE, PLEASE REFER TO DMF.

THIS DRAWING IS A CONTROLLED DOCUMENT.		DWN R BLANCH 19SEPT06	TE Connectivity THS10 METAL CLAD RESISTOR		
DIMENSIONS: INCHES		CHK J CATCHPOLE 19SEPT06			APVD J CATCHPOLE 19SEPT06
TOLERANCES UNLESS OTHERWISE SPECIFIED: 0 PLC ± 0.5 1 PLC ± 0.2 2 PLC ± 0.1 3 PLC \pm 4 PLC \pm ANGLES ± 5		PRODUCT SPEC	APPLICATION SPEC	RESTRICTED TO	
MATERIAL FINISH		WEIGHT	SIZE A3	CAGE CODE 00779	DRAWING NO C-1879073
		CUSTOMER DRAWING	SCALE NTS	SHEET 1 OF 1	REV BA1