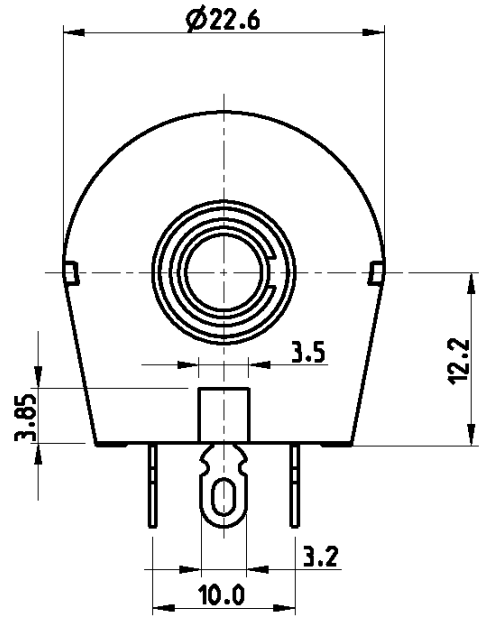
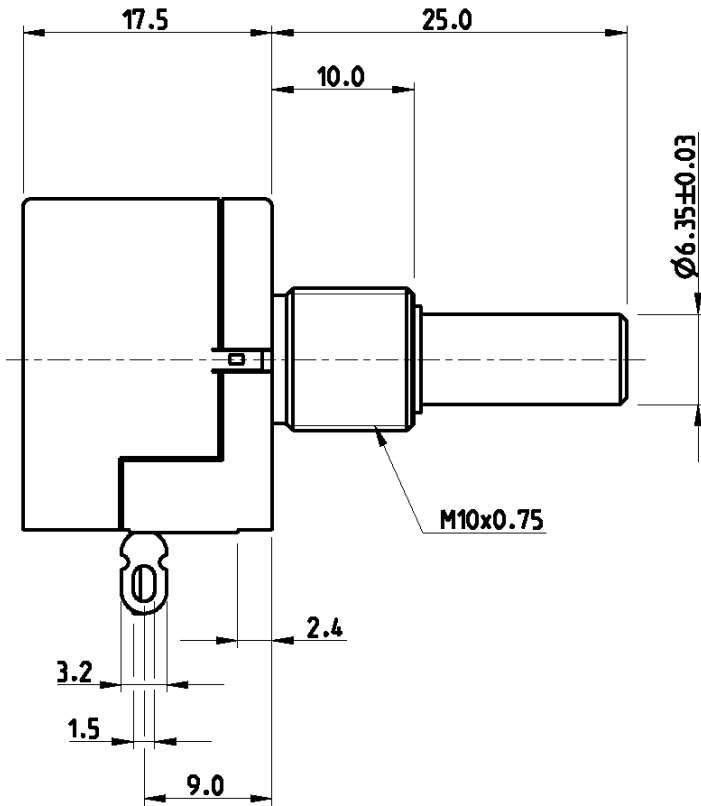


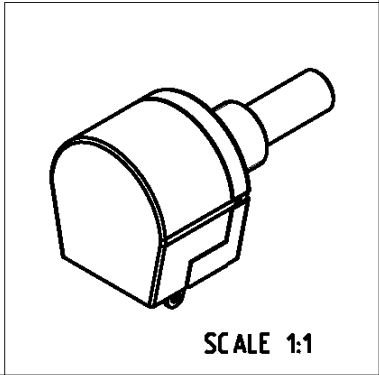
LOC	DIST	REVISIONS					
E	B	P	LTR	DESCRIPTION	DATE	DWN	APVD
		A1		REVISED PER ECO-11-005150	28APR11	RK	HMR



2009
 RELEASED FOR PUBLICATION
 ALL RIGHTS RESERVED.
 BY
 THIS DRAWING IS UNPUBLISHED.
 COPYRIGHT

RoHS Compliant

FOR FURTHER INFORMATION SEE DATA SHEET FOR
 SERIES TW - WIRE WOUND SPINDLE OPERATED POTENTIOMETER



DIMENSIONS: mm	DWN	08-JAN-09	MATERIAL	-			FINISH	-					
	CHK	08-JAN-09						TE Connectivity					
APVD	08-JAN-09												
TOLERANCES UNLESS OTHERWISE SPECIFIED: 0 PLC ±0.2 1 PLC ±0.1 2 PLC ±0.1 3 PLC ±0.1 4 PLC ±0.1 ANGLES 5°	PRODUCT SPEC	-	NAME WIRE WOUND SPINDLE OPERATED POTENTIOMETER SERIES TW										
	APPLICATION SPEC	-	SIZE	A 4	CAGE CODE	00779	DRAWING NO	C=1676979	RESTRICTED TO	-			
	WEIGHT	-	CUSTOMER DRAWING					SCALE	2:1	SHEET	1 OF 1	REV	A1