

4

3

2

1

THIS DRAWING IS UNPUBLISHED.

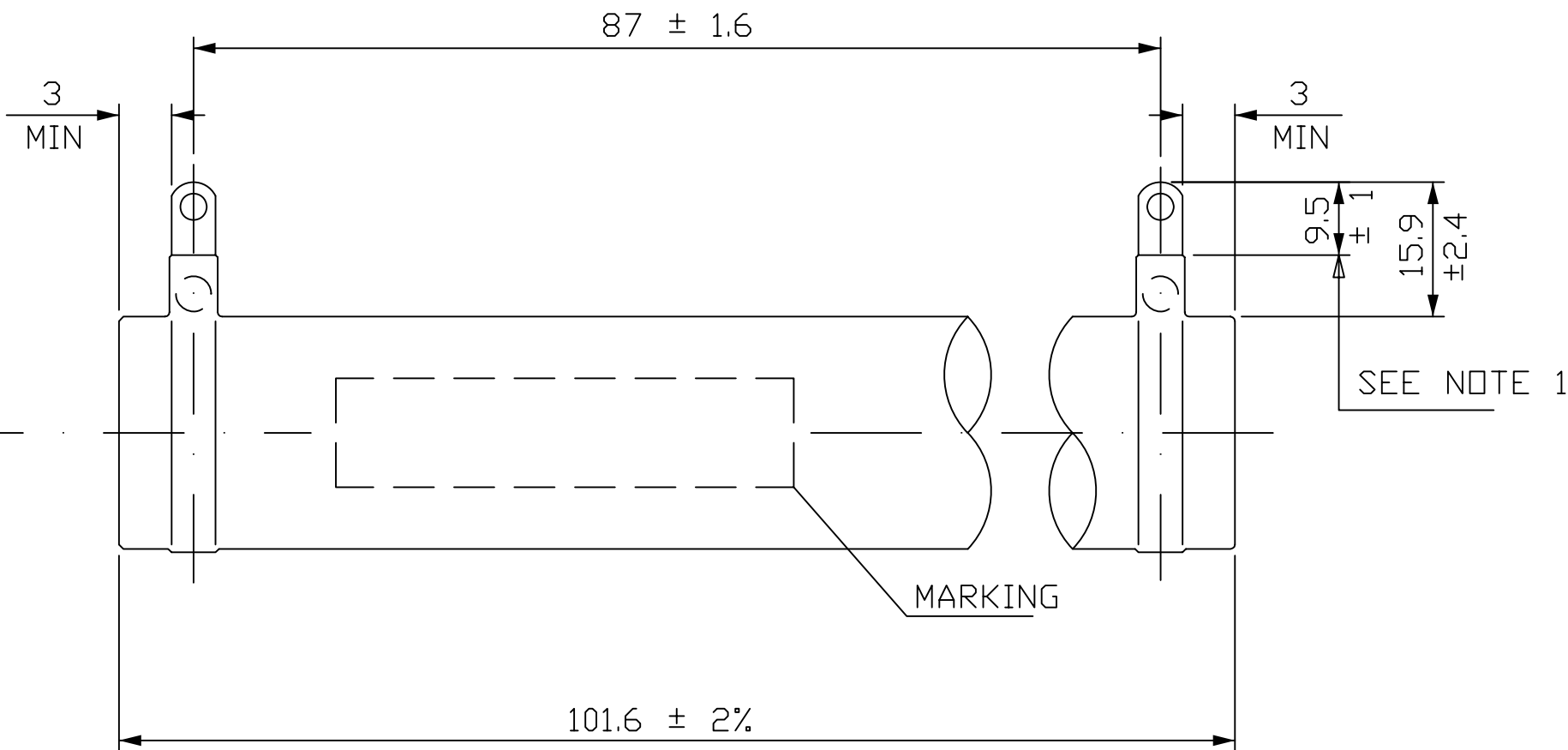
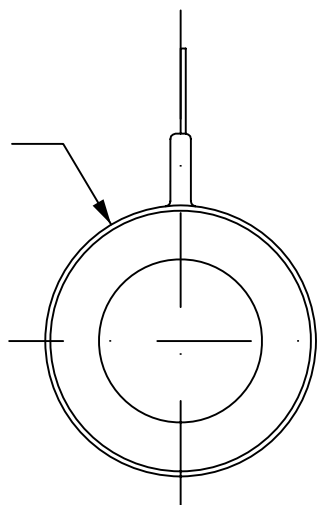
RELEASED FOR PUBLICATION

NOV ,2005.

© COPYRIGHT 2005 BY TYCO ELECTRONICS CORPORATION. ALL RIGHTS RESERVED.

LOC	DIST	REVISIONS					
E	B	P	LTR	DESCRIPTION	DATE	DWN	APVD
		A		FIRST REVISION	18NOV05	DK	JC

Ø 30.2
MAX



SEE NOTE 1

NOTE 1:-
TAG TO BE FREE OF
COATING OVER THIS LENGTH.

RoHS Compliant

FOR A SPECIFIC PN FOR A RESISTANCE VALUE
AND TOLERANCE, PLEASE REFER TO DMF.

THIS DRAWING IS A CONTROLLED DOCUMENT.		DWN	DAVE KENNEDY	18NOV05	tyco Electronics	Tyco Electronics Corporation			
		CHK	J CATCHPOLE	18NOV05		Dorcan, Swindon, SN3 5HH			
DIMENSIONS: MM		APVD	J CATCHPOLE	18NOV05	NAME	TG8-1			
TOLERANCES UNLESS OTHERWISE SPECIFIED:		PRODUCT SPEC		APPLICATION SPEC		SIZE	CAGE CODE	DRAWING NO	RESTRICTED TO
0 PLC ± 0.5		-		-		A3	00779	©=1676788	-
1 PLC ± 0.2		-		-		CUSTOMER DRAWING		SCALE	SHEET
2 PLC ± 0.1		-		-				NTS	1 OF 1
3 PLC ± -		-		-				REV	A
4 PLC ± -		-		-					
ANGLES ± 5		-		-					
MATERIAL		FINISH		WEIGHT					
-		-		-					